



**LOUISVILLE®**

*LADDERS TRUSTED BY THE PROS FOR OVER 65 YEARS*  
*CON LA CONFIANZA DE LOS PROFESIONALES POR MAS DE 65 AÑOS*

***ATTIC LADDER  
INSTALLATION  
INSTRUCTIONS***

***INSTRUCCIONES DE INSTALACIÓN DE LA ESCALERA DE ÁTICO***

English / Inglés: Page 1 / Página 1 | Español / Spanish: Página 12 / Page 12

MODELS/MODELOS: AA2210 | AA2510 | AA3010 | WA2210

**CAUTION | PRECAUCIÓN**

**DO NOT REMOVE THIS STRAP  
UNTIL INSTRUCTED!**

**Installation instructions inside this book**

**NO QUITE ESTE CINCHO HASTA QUE SE INDIQUE!  
*Instrucciones de Instalación en este libro***

# WARNING

**Before you start installing your new Louisville Ceiling Mounted Folding Attic Ladder, you must read and understand the following:**

- 1. For residential use only. Not for use in a commercial or industrial setting.**
- 2. Installation requires two people.**
- 3. Do NOT remove plastic straps holding the ladder sections together until instructed.**
- 4. Check the ceiling height to make sure the ladder length is correct.** If the ladder is too short, return it to the point of purchase for an exchange. Under no circumstance is any folding attic ladder to be used when the ceiling-to-floor measurement exceeds the maximum ceiling height as indicated for the Ceiling Mounted Folding Attic Ladder you are installing (See “Ceiling Height Range” column in table 1).
- This folding attic ladder is completely assembled and is ready for installation.  
Do not disassemble it to install.
- The springs / gas cylinders on this folding attic ladder are under pressure. Do not attempt to remove or replace before installation.
- Prior to installation, verify that all fasteners are properly tightened. Re-check these periodically after initial installation.
- Make sure there is no wiring or piping that the saw or drill can come in contact with during installation.
- Opening or standing on the folding attic ladder’s climbing sections prior to properly fastening to ceiling joists could cause serious bodily injury.
- Verify that the unit meets local building codes and that the intended area of installation is of sufficient strength to be used for a walking or working surface.
- If the home has roof trusses, do not cut the ceiling joists without consulting an engineer for approval.
- Before installation, read all the instruction labels on the folding attic ladder.
- Improper installation could result in serious bodily injury.
- Do not attempt to open the door prior to installation.
- Only use the lag screws provided for the permanent installation step.
- Follow the “Adjust The Ladder Height” instructions on Step 3 for proper trimming instructions.
- Annually lubricate (spray silicon recommended) pivot points of right and left folding arm mechanism (power arm assembly) to provide smooth, long-lasting operation.

## Included with your Folding Attic Ladder:

WOOD SERIES		
NO.	ITEM	QTY
1	Pull cord 36"	1
2	Deck screw 2 ½"	8
3	Lag screw 3"	10
4	Plastic Shoe	2
5	Wood screw 1"	4

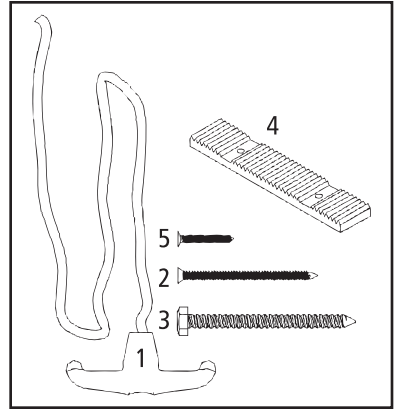


FIGURE 1: Wood series

ALUMINUM SERIES		
NO.	ITEM	QTY
1	Pull cord 36"	1
2	Deck screw 2 ½"	8
3	Lag screw 3"	10
4	Aluminum Feet (mounted on ladder)	2
5	¼" Nuts (mounted on ladder)	4
6	Bolts ¼" x ¾" large (mounted on ladder)	4

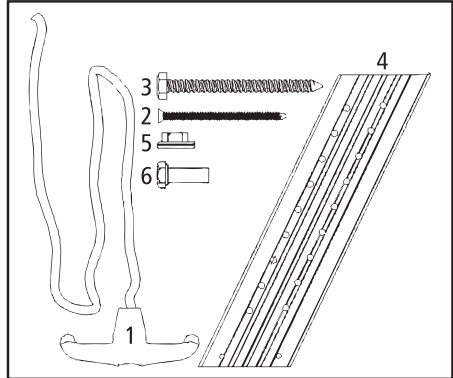


FIGURE 2: Aluminum series

### MATERIALS REQUIRED

- |                      |  |
|----------------------|--|
| 1. Stepladder        | 7. Drill                               |
| 2. Hammer            | 8. Drill bit ⅛", ⅙"                    |
| 3. Adjustable wrench | 9. Phillips screw driver               |
| 4. Tape measure      | 10. (2) Temporary boards 1" x 4" x 32" |
| 5. Hand saw          | 11. Shims                              |
| 6. Hack saw          |  |

# INSTALLATION INSTRUCTIONS FOR WOOD MODELS AND FOR ALUMINUM MODELS

## READ INSTRUCTIONS AND WARNINGS COMPLETELY BEFORE STARTING

**IMPORTANT:** Do not open folding attic ladder until instructed to in step number 3.

### FOLDING ATTIC LADDER LOCATION:

Allow ample room for the swing clearance and the landing space of the folding attic ladder when it is opened (see Figure 3 and table 1). Locate the folding attic ladder rough opening so that when you enter the storage area, you will have adequate head clearance.

You must have a rough opening that matches **TABLE 1**. If not, proceed to the appendix for framing instructions.

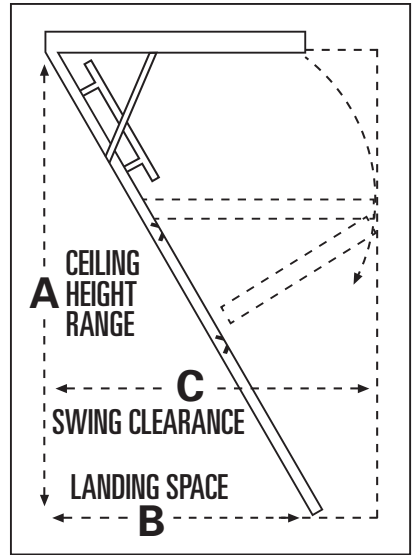


FIGURE 3

MODEL	ROUGH OPENING	CEILING HT. RANGE "A"	LANDING SPACE "B"	SWING CLEARANCE "C"
AA2210	22 ½" x 54"	7' 8" – 10' 3"	67"	74"
AA2510	25 ½" x 54"	7' 8" – 10' 3"	67"	74"
AA3010	30" X 54"	7' 8" - 10' 3"	67"	74"
WA2210	22 ½" x 54"	7' 11" – 10' 3"	64 ½"	74"

TABLE 1

# STEP 1: PRELIMINARY INSTALLATION INSTRUCTIONS

- A. Attach temporary supports "A" and "B" with 2 ½" deck screws as shown in Figure 4. Support "A" should be located at the end where the door hinge of the ladder will go. The edge of support "A" should extend into the rough opening ¾" as shown in Figure 5. Make sure both screws penetrate header above ceiling.

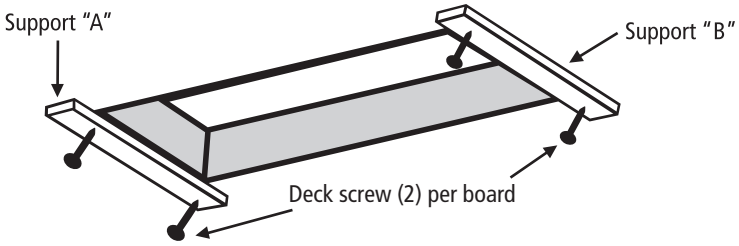


FIGURE 4: View from below

- B. Measuring from the inside edge of support "A", locate and secure the inside edge of support "B" 52 7/8" from inside edge of support "A" (Figure 5). Make sure both screws penetrate header above ceiling.

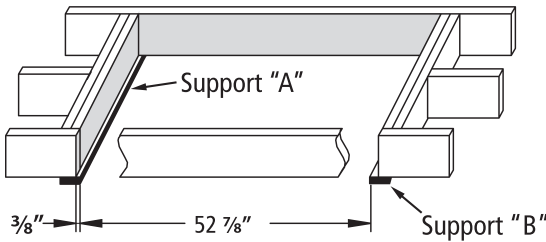


FIGURE 5: View from above

- C. Thread pull cord through pre-drilled hole in door and tie a knot in end of cord. Length can be adjusted after ladder is completely installed. Be sure the knot is large enough to not slip through the hole.

**For aluminum models, remove aluminum feet on bottom section. These will be reinstalled in Step 3.**

- D. Position one person up in the attic, and position the other person in the room below. When using stepladder make sure ladder is fully open, all feet firmly supported and user's weight and materials he is carrying does not exceed the load rating of the ladder.

E. The person below will need to raise the attic ladder into the rough opening and with assistance from person above position securely on the temporary support boards (Figure 6).

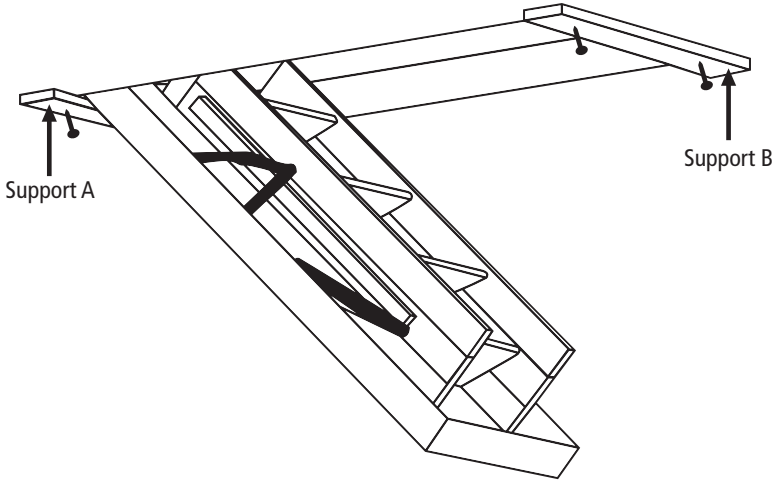


FIGURE 6

F. Make sure frame on door hinge side of ladder is pushed up against header and is centered side to side in rough opening. Temporarily secure frame to header using two 2 ½" deck screws (Figure 7). Do not use pre-drilled holes for deck screws. Pre-drilled holes are used in Step 2.

**CAUTION:** This is only a temporary connection, NEVER climb on ladder in this condition.

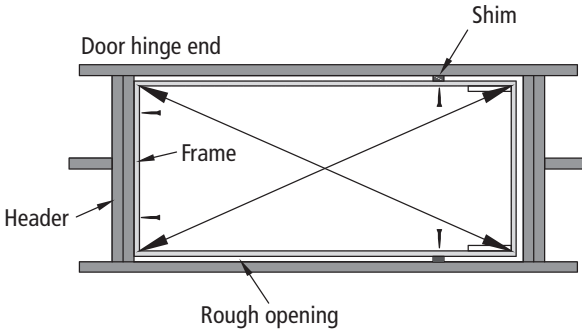


FIGURE 7

G. Carefully open attic ladder door but do not unfold the climbing section until indicated in step 3. Center and square the opposite side of attic ladder frame in the rough opening using shims. Ensure ladder frame is square by measuring diagonals of the frame within ⅛" (Figure 7).

H. Secure sides of ladder frame to ceiling joists with 2 ½" deck screws at shim locations (Figure 7). Do not use pre-drilled holes for deck screws. Pre-drilled holes are used in Step 2.

## STEP 2: PERMANENT INSTALLATION

A. The ladder comes with pre-drilled holes for permanent installation at locations shown in Figure 8 for wood models and Figure 9 for aluminum models. Shim, when necessary to fill space between ladder frame and rough opening, at pre-drilled locations. Using  $\frac{1}{8}$ " drill bit, drill pilot holes through shim into ceiling joists and header.

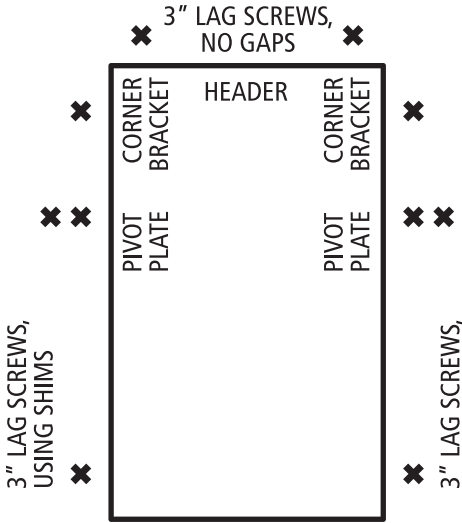


FIGURE 8: Wood series

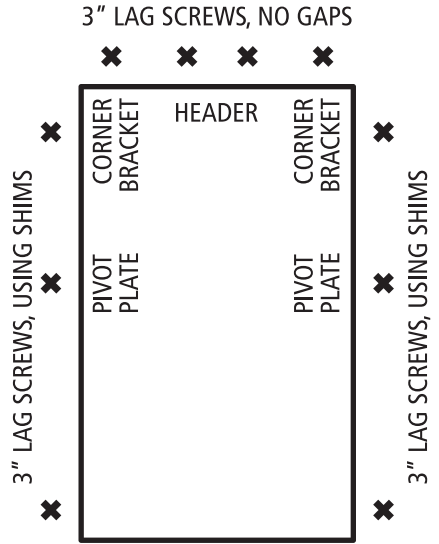


FIGURE 9: Aluminum series

B. Install the ten 3" lag screws provided, at each location to permanently secure the ladder.

**C. WARNING: Never use deck or sheetrock screws in place of lag screws for permanent installation.**

D. Remove temporary boards from ceiling installed in step 1.

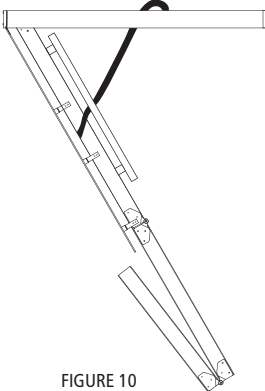


FIGURE 10

## STEP 3: ADJUST LADDER LENGTH

Remove plastic straps holding the sections together and carefully unfold ladder to the ground rotating bottom section behind middle section (Figure 10).

### WOOD MODELS ONLY:

(Aluminum models: skip to next section on page 8)

A. Press down on top and middle sections of the ladder to ensure the power arms are fully extended before taking measurements for trimming your ladder.



- B. With a straight edge, measure distances from middle section to floor, for both A & B lengths (Figure 11). Record the results in the space provide in table 2. Take measurements for both the left and right rails.

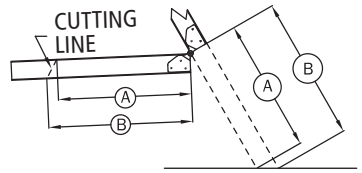


FIGURE 11

	LEFT RAIL		RIGHT RAIL	
	A	B	A	B
Measurement to floor				
Subtract for rubber shoe	(-1/4")	(-1/4")	(-1/4")	(-1/4")
Rail cut length				

TABLE 2

- C. Complete the table: Subtract 1/4" from each measurement and record in table 2 in row titled "Cut Length"
- D. Transfer these dimensions to the bottom section of the ladders right and left rails and draw a cutting line between the two points. Trim bottom section to length using wood saw.
- E. Install rubber tread to bottom ends of rail using 1" screws provided. Drill 1/16" pilot holes into wood prior to installing screws to prevent splitting of rail (Figure 12).

**Proceed to "Check the length after making your cuts" on page 9...**

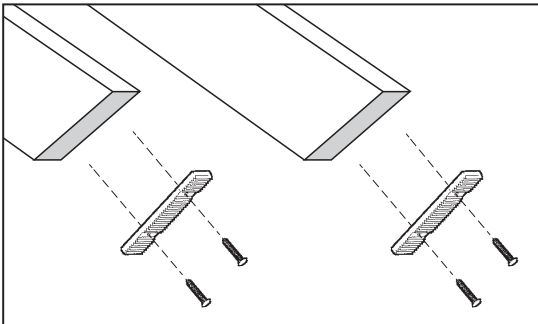


FIGURE 12

**ALUMINUM MODELS ONLY:**

A. Using a tape measure double check the height of the ceiling.

B. Determine the location to cut the ladder and ladder feet for your ceiling height from table 3.

CEILING HEIGHT	RAIL CUT	FOOT CUT
7' 8" – 7' 9"*	Figure 13, step #3	E
7' 10" – 7' 11"	C	E
8' – 8' 2"	C	D
8' 3" – 8' 5"	C	no cut
8' 6"	Figure 13, step #2	no cut
8' 7" – 9' 1"	B	no cut
9' 2" – 9' 4"	A	no cut
9' 5" – 9' 10"	Figure 13, step #1	no cut
9' 11" – 10' 3"	no cut	no cut

\*7' 8" to 7' 9" ceiling heights require drilling mounting holes. Use foot as drilling template.

TABLE 3

C. Cut the side rails and ladder feet (when required) at the appropriate line.

**NOTE:** The rail is not pre-marked for angle cuts required below a step (see Figure 13).

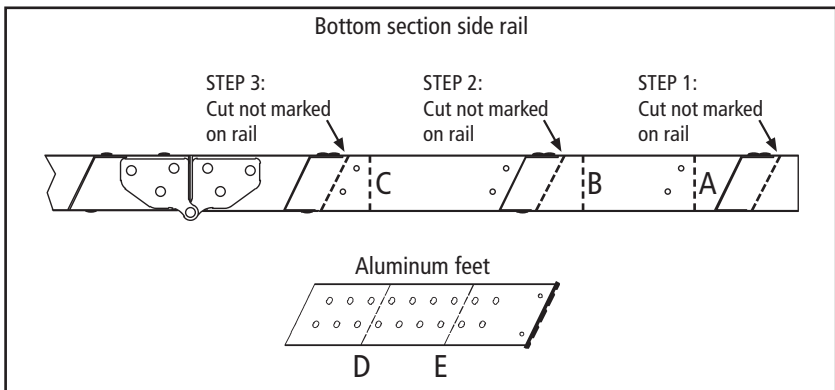


FIGURE 13

D. Press down on the climbing section to ensure that the folding arms are fully extended.

E. Slide aluminum foot over ladder rail as shown in Figure 14. Position so the rubber foot is in contact with the floor. Align with closest set of predrilled holes in rail. Attach using (2) ¼" bolts and serrated nuts per side (included).

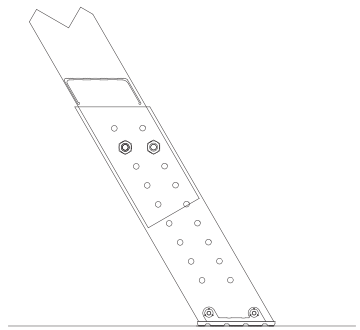


FIGURE 14

### Check the length after making your cuts

Again, be sure the attic ladder power arms are fully extended. Trimmed correctly, your attic ladder should look like Figure 16. Verify that there are no gaps in the section and both feet are flat on the floor.

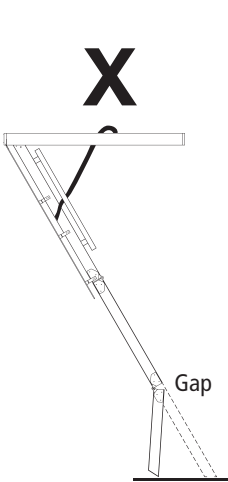


FIGURE 15

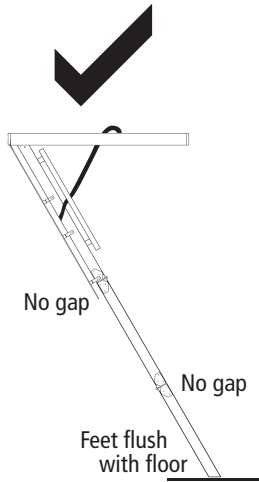


FIGURE 16

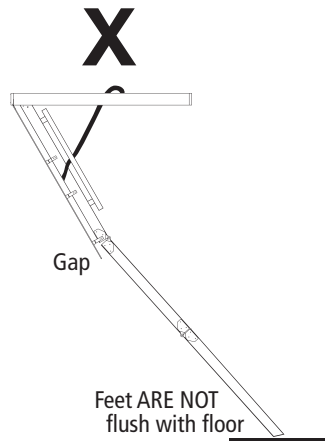


FIGURE 17

If the attic ladder looks like Figure 17, then both of the legs are too long and need to be trimmed further.

If the attic ladder looks like Figure 15, then both of the legs are too short, and the attic ladder is not safe to use. A new lower section would need to be purchased from the manufacturer.

To install trim molding leave ¾" clearance between your door panel at the hinged end and ¼" on other 3 sides.

For customer service, call Louisville Ladder at  
1-800-666-2811 or e-mail [info@louisvilleadder.com](mailto:info@louisvilleadder.com)

## APPENDIX – Framing A Rough Opening Parallel To Ceiling Joist

Make a rough opening to the size as required in table 1 ensuring that the dimensions of the diagonals of the frame are the same as illustrated in Figure 18.

MODEL	ROUGH OPENING	CEILING HT. RANGE "A"	LANDING SPACE "B"	SWING CLEARANCE "C"
AA2210	22 ½" x 54"	7' 8" – 10' 3"	67"	74"
AA2510	25 ½" x 54"	7' 8" – 10' 3"	67"	74"
AA3010	30" X 54"	7' 8" - 10' 3"	67"	74"
WA2210	22 ½" x 54"	7' 11" – 10' 3"	64 ½"	74"

TABLE 1 (repeated from page 3)

### A. For Rough opening without joist removal (Figure 18)

- Locate headers in front and rear of the opening as shown in Figure 18.
- Check for squareness by making sure that diagonal measurements are within ⅛".
- Secure using (3) 16d nails into each end of the Header.

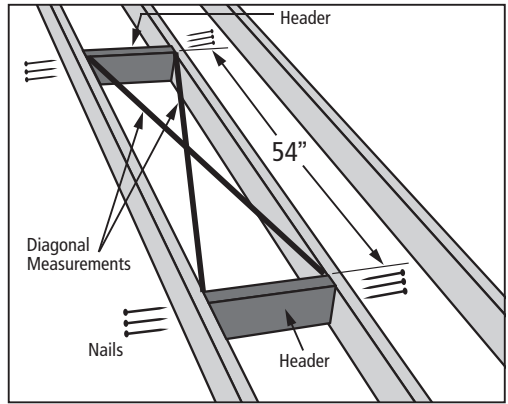


FIGURE 18

### B. Rough opening with joist removal (Figure 19)

- Install temporary support boards spanning both sides of joists to be removed.
- Remove joist at length to allow for double headers to be installed on both ends of opening.

Continued on next page...

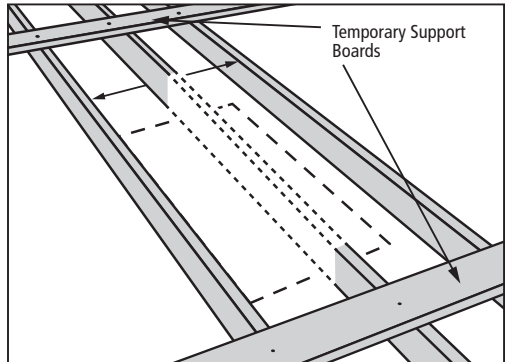


FIGURE 19

**(Figure 20)**

- Locate double headers at each end of opening and secure with (3) 16d nails into each end of the headers.
- Install stringer and check for squareness by making sure that diagonals are within  $\frac{1}{8}$ ".
- Secure using (3) 4" nails into each end of the stringer.

**CAUTION: Consult an engineer or architectural approval for installations that require the removal of roof trusses or rough openings perpendicular to the ceiling joists.**

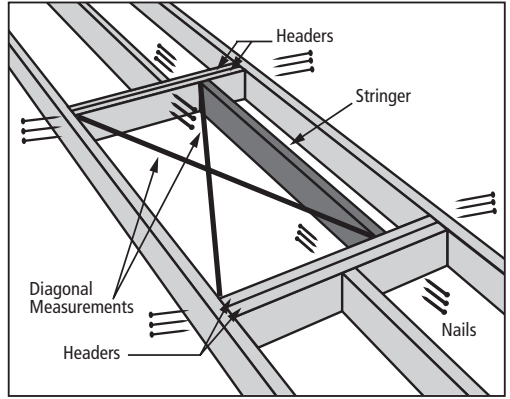


FIGURE 20



**LOUISVILLE®**

LADDERS TRUSTED BY THE PROS FOR OVER 65 YEARS  
CON LA CONFIANZA DE LOS PROFESIONALES POR MAS DE 65 AÑOS

Customer service: **1-800-666-2811** or e-mail **info@louisvilleladder.com**  
Servicio al cliente: **1-800-666-2811** or e-mail **info@louisvilleladder.com**

# ADVERTENCIA

**Antes de empezar la instalación de su nueva escalera de ático plegable para montaje en el techo Louisville, debe leer y entender lo siguiente:**

- 1. Solo para uso residencial, no para uso de establecimientos comerciales o industriales.**
- 2. La instalación requiere 2 personas**
- 3. Favor de NO remover los cinchos de plástico que aseguran las secciones de la escalera hasta que se indique.**
- 4. Revise que la altura del techo no sea mayor que el largo de la escalera.** Si la escalera es muy corta, regrésela al punto de venta y cámbiela. Bajo ninguna circunstancia la escalera de ático plegable se usará cuando la medida del techo al suelo exceda la máxima altura permitida como se indica en la escalera que está instalando (Véase la columna de rango de altura de techo en la Tabla 1)
5. La escalera de ático plegable se encuentra completamente ensamblada y lista para instalación. Favor de no desensamblar para instalar
6. Los pistones de gas / resortes ubicados en la escalera de ático plegable se encuentran bajo presión, por ninguna circunstancia remueva o reemplace antes de la instalación.
7. Antes de instalación, confirme que todos los componentes de ensamble se encuentren apretados. Revise periódicamente después de la instalación.
8. Asegúrese que no haya cables o tuberías con los que la sierra o el taladro puedan tener contacto durante la instalación.
9. No abra o pise en la secciones de la escalera de ático plegable antes de estar apropiadamente sujetas a las vigas del techo, ya que hacerlo podría causar serias lesiones corporales.
10. Asegúrese de que la unidad cumpla con los códigos locales de construcción y que la zona prevista para la instalación la escalera cuente con la suficiente fortaleza para ser utilizada como área de tránsito o de trabajo.
11. Si la casa tiene vigas, no las corte sin antes consultar a un ingeniero para su aprobación.
12. Antes de la instalación, lea todas las etiquetas en la escalera de ático plegable.
13. La instalación inapropiada de la escalera puede causar serias heridas.
14. No intente abrir la puerta antes de ser instalada.
15. Para la instalación de la escalera use las pijas de cabeza hexagonal provistos para la etapa de instalación permanente.
16. Siga las instrucciones "AJUSTE EL LARGO DE LA ESCALERA" en el paso 3 para las instrucciones adecuadas de corte.
17. Lubrique anualmente las bisagras izquierda y derecha del brazo mecánico plegable (brazo de poder) para proporcionar una suave, larga y duradera operación. Se recomienda silicón en spray.

## Componentes Incluidos en la Escalera de ático plegable para montaje en el techo:

SERIE DE MADERA		
NO.	ARTICULO	CANTIDAD
1	Cordón 36"	1
2	Pija de madera 2 ½"	8
3	Pija hexagonal 3"	10
4	Tacón de plástico	2
5	Pija de madera 1"	4

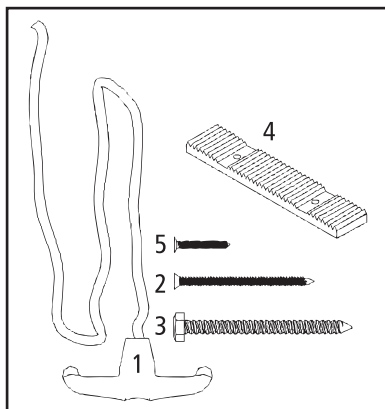


FIGURA 1: Serie de Madera

SERIE DE ALUMINIO		
NO.	ARTICULO	CANTIDAD
1	Cordón 36"	1
2	Pija de madera 2 ½"	8
3	Pija hexagonal 3"	10
4	Base aluminio (montadas en escalera)	2
5	Tuercas de un ¼" (montadas en escalera)	4
6	Tornillos de ¼" x ¾" (montadas en escalera)	4

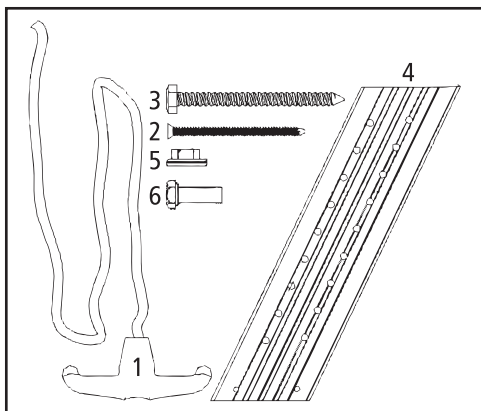


FIGURA 2: Serie de Aluminio

### MATERIALES NECESARIOS

- |                       |                                       |
|-----------------------|---------------------------------------|
| 1. Escalera de tijera | 7. Taladro                            |
| 2. Martillo           | 8. Broca de ⅛", ¼"                    |
| 3. Una llave 7/16"    | 9. Destornillador de estrella         |
| 4. Cinta de medir     | 10. (2) placas de apoyo 1" x 4" x 32" |
| 5. Sierra de mano     | 11. Calzas                            |
| 6. Sierra caladora    |                                       |

## INSTRUCCIONES DE INSTALACIÓN PARA MODELOS DE MADERA Y ALUMINIO

Lea las instrucciones y advertencias completas antes de empezar

**IMPORTANTE:** No abra la escalera de ático plegable hasta que se indique en el paso 3

### UBICACIÓN DE ESCALERA PLEGABLE DE ÁTICO:

Deje espacio suficientemente amplio para la apertura y descenso de la escalera plegable de ático cuando sea abierta (véalo en la Figura 3 y en la Tabla 1). Ubique la apertura en el techo de manera que cuando entre en el área de almacenamiento tenga un espacio adecuado.

Usted debe tener una abertura aproximada de 22 ½" x 54" o 25 ½" x 54" según el modelo de la escalera. Si no lo tiene, diríjase al Anexo para instrucciones de encuadre.

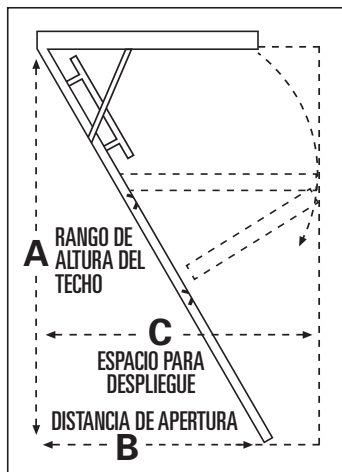


FIGURA 3

MODELO	APERTURA APROXIMADA	"A" RANGO DE ALTURA DEL TECHO	"B" DISTANCIA DE APERTURA	"C" ESPACIO PARA DESPLIEGUE
AA2210	22 ½" x 54"	7' 8" – 10' 3"	67"	74"
AA2510	25 ½" x 54"	7' 8" – 10' 3"	67"	74"
AA3010	30" X 54"	7' 8" - 10' 3"	67"	74"
WA2210	22 ½" x 54"	7' 11" – 10' 3"	64 ½"	74"

TABLA 1



# PASO 1: INSTRUCCIONES DE INSTALACIÓN PRELIMINARES

- A. Añada soportes temporales “A” y “B” con pijas de 2 ½” como se muestra en la Figura 4. El soporte “A” debe estar situado en el extremo, donde se ubica la bisagra de la puerta de la escalera. El borde del soporte “A” deberá extenderse ¾” dentro de la abertura como se muestra en la Figura 5. Asegúrese de que ambas pijas penetren el cabezal por encima del techo.

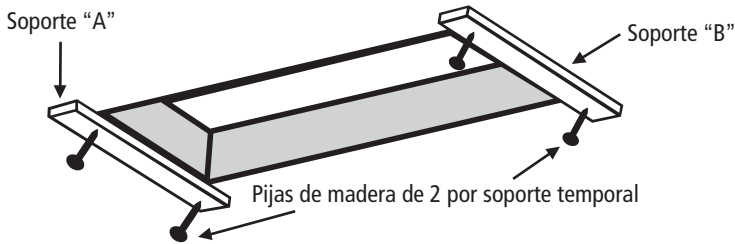


FIGURA 4

- B. Mida desde el borde interior del soporte “A”, posicione y asegure el borde interior del soporte “B” a 52 7/8” (Figura 5). Asegúrese de que ambas pijas penetren el cabezal por encima del techo.

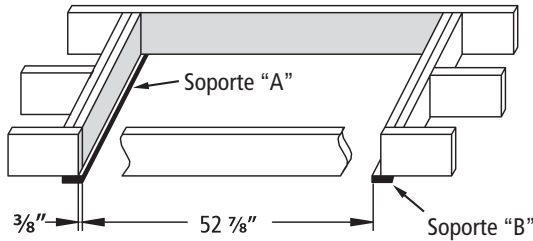


FIGURA 5: Vista desde arriba

- C. Inserte el cordón sujetador a través del orificio pre-perforado en la puerta y forme un nudo en el extremo del cordón. La longitud puede ajustarse después de que la escalera esté completamente instalada. Asegúrese de que el nudo es lo suficientemente grande como para no caer por el agujero.

**Para modelos de aluminio, retire los tacones de aluminio de la sección inferior, éstos serán re-instalados en el Paso 3.**

- D. Posicione una persona en el ático, y la otra persona en la habitación de abajo. Cuando utilice la escalera de tijera asegúrese que esté completamente abierta, todos los tacones firmemente apoyados, y que el peso del usuario y los materiales que se transportan no exceda la capacidad de carga de la escalera.

E. La persona que este abajo, tendrá que levantar la escalera de ático hacia la abertura del techo y deberá ser asistido por la persona en el ático, asegurando la escalera sobre los soportes temporales (Figura 6)

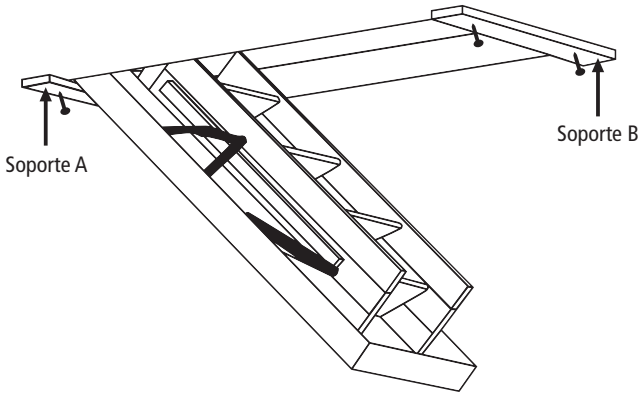


FIGURA 6

F. Asegúrese que el marco en el lado de la bisagra de la escalera este presionado contra el cabezal y que este centrado de lado a lado en la abertura del techo; asegure temporalmente el marco al cabezal usando pijas de 2 1/2" (Figura 7). No use los agujeros pre-perforados. Los agujeros pre-perforados serán usados en el Paso 2.

**PRECAUCIÓN:** Esto es solo una instalación temporal, NUNCA suba a la escalera en esta condición.

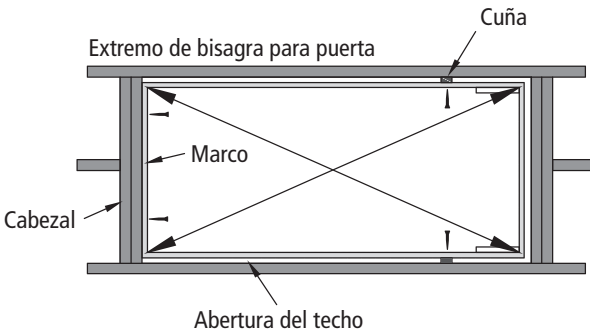


FIGURA 7

G. Abra cuidadosamente la puerta de la escalera de ático pero sin desdoblar la sección para escalar hasta que se indique en el paso 3. Centre y cuadre el lado opuesto del marco de la escalera de ático en la abertura del techo utilizando cuñas. Asegúrese que el marco de la escalera haya sido cuadrado correctamente tomando dimensiones diagonales en el marco hasta con 1/8" de diferencia entre ellas. (Figura 7).

H. Asegure los costados del marco a las vigas del techo con pijas de 2 1/2" en la posición de las cuñas (Figura 7). No utilice los agujeros pre-perforados para las pijas. Agujeros pre-perforados se serán usados en el Paso 2.

## PASO 2: INSTALACION PERMANENTE

A. La escalera viene con agujeros pre-perforados para instalación permanente, los agujeros para la instalación permanente se muestran en la Figura 8 para los modelos de madera y en la Figura 9 para los modelos de aluminio. Use cuñas cuando sea necesario para llenar el espacio entre el marco de la escalera y abertura en el techo, en lugares pre-perforados. Usando la broca de  $\frac{1}{8}$ ", perforo orificios guía a través de cuña hasta las vigas del techo y el cabezal.

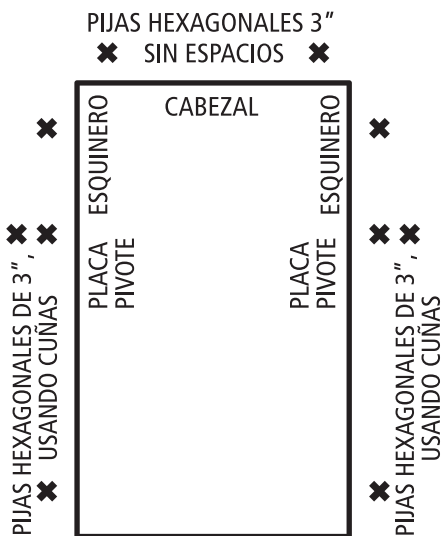


FIGURA 8: Modelos de madera

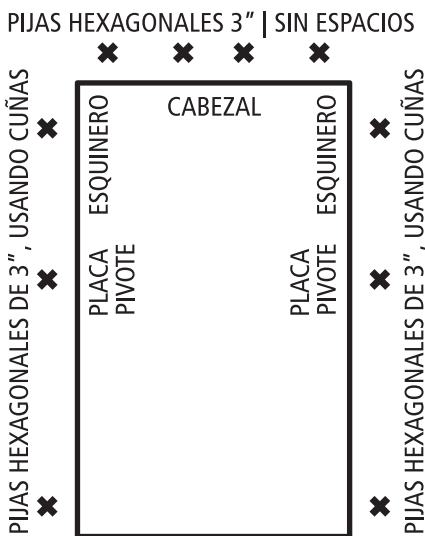


FIGURA 9: Modelos de Aluminio

B. Instale las diez pijas hexagonales de 3" incluidas, en cada lugar para asegurar permanentemente la escalera.

**C. ADVERTENCIA: Nunca use pijas de madera o tablaroca en lugar de las pijas hexagonales para la instalación permanente.**

D. Remueva los soportes temporales del techo instalados en el paso 1.

## PASO 3: AJUSTE EL LARGO DE LA ESCALERA

Remueva los cinchos de plástico que sujetan las secciones entre sí y desdoble cuidadosamente la escalera extendiéndola al suelo girando la sección inferior detrás de la sección media (Figura 10).

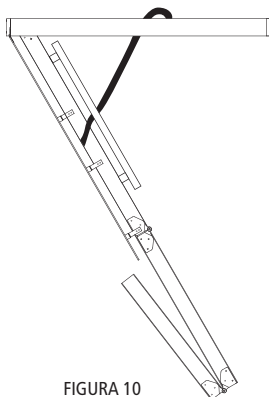


FIGURA 10

### SOLAMENTE PARA MODELOS DE MADERA

(Para modelos de aluminio, pase a la siguiente sección en la página 19).

A. Presione la sección media y superior de la escalera para asegurar que los brazos de poder estén completamente extendidos antes de tomar las medidas para recortar su escalera.

B. Mida la distancia desde la sección media al suelo a lo largo de la escalera, para las longitudes A y B (Figura 11). Registre los resultados en el espacio provisto en la Tabla 2. Tome mediciones tanto para los rieles izquierdo y derecho.

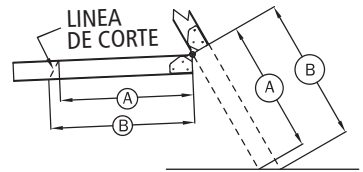


FIGURA 11

	RIEL IZQUIERDO		RIEL DERECHO	
	A	B	A	B
Medición al suelo				
Resta del tacón de goma	(-1/4")	(-1/4")	(-1/4")	(-1/4")
Longitud de corte del riel				

TABLA 2

C. Complete la tabla: Reste 1/4" de cada medición y regístrelo en la Tabla 2 en la fila titulada "Longitud de corte".

D. Transfiera estas dimensiones a los rieles izquierdo y derecho de la sección inferior de la escalera y dibuje una línea de corte entre los dos puntos. Recorte la sección inferior a la nueva longitud usando el serrucho.

E. Instale el tacón de plástico a extremos inferiores del riel con pijas de 1" incluidas. Taladre agujeros guía de 1/16" en la madera antes de instalar las pijas para evitar daños en el riel (Figura 12).

**Proceda a la sección "Revise las longitudes después de marcar los cortes" en la página 20 ...**

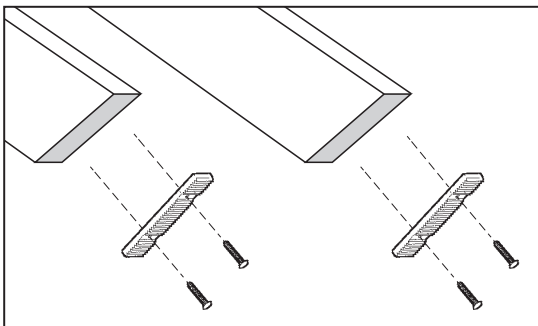


FIGURA 12

**SOLAMENTE PARA MODELOS DE ALUMINIO:**

A. Use una cinta de medir para corroborar la altura del techo.

B. Determine la ubicación de corte de la escalera y de los tacones dependiendo de la altura de su techo en la Tabla 3.

ALTURA DEL TECHO	CORTE DEL RIEL	CORTE DEL TACÓN
7' 8" – 7' 9"*	Figura 13, peldaño #3	E
7' 10" – 7' 11"	C	E
8' – 8' 2"	C	D
8' 3" – 8' 5"	C	sin corte
8' 6"	Figura 13, peldaño #2	sin corte
8' 7" – 9' 1"	B	sin corte
9' 2" – 9' 4"	A	sin corte
9' 5" – 9' 10"	Figura 13, peldaño #1	sin corte
9' 11" – 10' 3"	sin corte	sin corte

\* Las alturas del techo de 7' 8" a 7' 9" requieren de agujeros de montaje. Utilice los tacones como plantilla de perforación.

TABLA 3

C. Corte los rieles laterales y los tacones de escalera (cuando se requiera) en la línea apropiada.

**NOTA:** el riel no está pre-marcado para los ángulos de corte requeridos por debajo del peldaño. (véase la Figura 13).

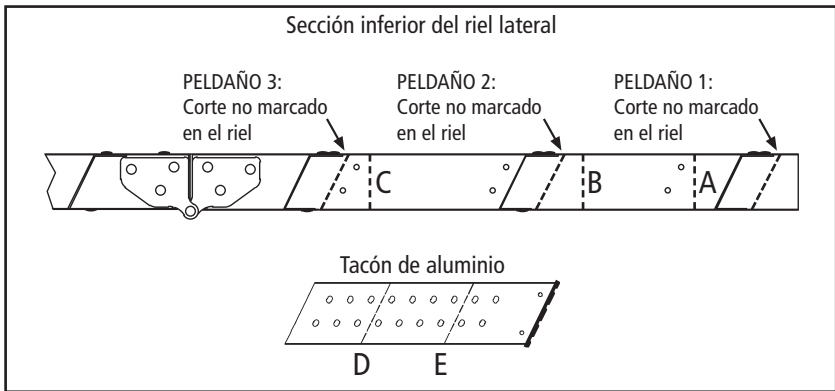


FIGURA 13

D. Presione las secciones para asegurar que los brazos plegadizos estén completamente extendidos.

E. Deslice el tacón de aluminio sobre el riel como se muestra en la Figura 14. Posiciónelo de modo que el tacón plástico esté en contacto con el suelo. Alinee el más cercano conjunto de agujeros con los agujeros perforados en el riel. Sujételo usando (2) tornillos de ¼" y tuercas dentadas por cada lado (incluidas).

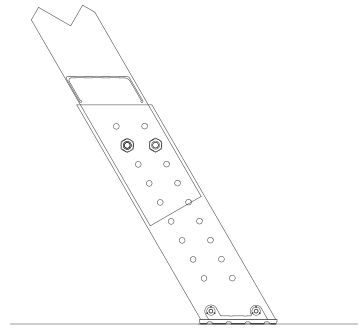
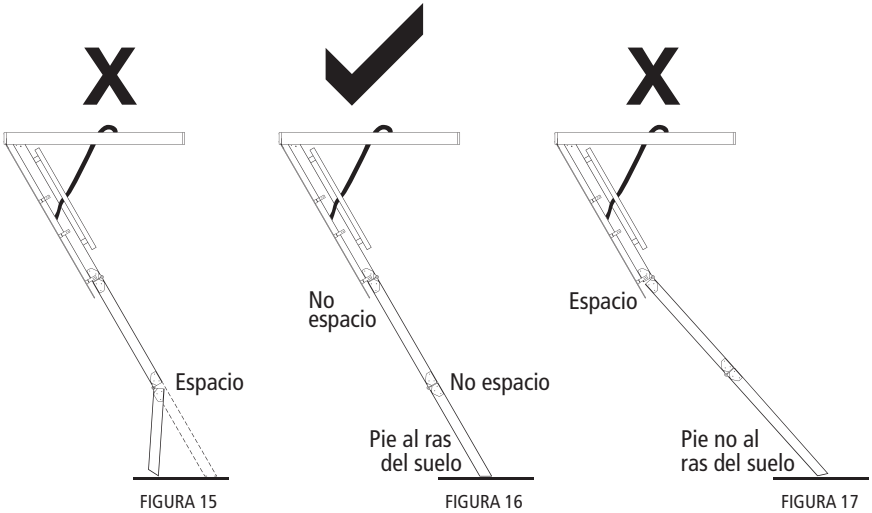


FIGURA 14

### Revise las longitudes después de marcar los cortes

De nuevo, asegúrese que los brazos de poder de la escalera de ático estén totalmente extendidos. Una vez cortados correctamente, su escalera de ático debe verse como en la Figura 16. No debe haber espacios entre las secciones y ambos tacones deben estar planos en el suelo como resultado.



Si la escalera de ático se ve como en la Figura 17, entonces los largueros están muy largos, y la escalera de ático no es segura de usar. Revise sus mediciones y corte los largueros a longitud.

Si la escalera de ático se ve como en la Figura 15, entonces los largueros están muy cortos, y la escalera de ático no es segura de usar. Tendrá que comprar una nueva sección inferior al fabricante.

Para instalar los bordes mantenga libres ¾" desde la puerta en la zona de la visagra y ½" en los otros 3 lados.

Para servicio al cliente, llame a Louisville Ladder al  
**1-800-666-2811** o por correo electrónico [info@louisvilleladder.com](mailto:info@louisvilleladder.com)

## APENDICE – Enmarcando la abertura paralela a las vigas del techo.

Haga la abertura en el techo del tamaño que se indica en la Tabla 1 asegurando que las dimensiones de las mediciones diagonales del marco son iguales como se ilustran en la Figura 18.

MODELO	APERTURA APROXIMADA	“A” RANGO DE ALTURA DEL TECHO	“B” DISTANCIA DE APERTURA	“C” ESPACIO PARA DESPLIEGUE
AA2210	22 ½” x 54”	7’ 8” – 10’ 3”	67”	74”
AA2510	25 ½” x 54”	7’ 8” – 10’ 3”	67”	74”
AA3010	30” x 54”	7’ 8” - 10’ 3”	67”	74”
WA2210	22 ½” x 54”	7’ 11” – 10’ 3”	64 ½”	74”

TABLA 1 (Repetida de la página 14)

### A. Para abertura sin necesidad de remover vigas del techo (Figura 18).

- Localizar los cabezales en la parte delantera y trasera de la abertura como se muestra en la Figura 18.
- Compruebe la cuadratura asegurándose de que las medidas diagonales están dentro de ⅛” entre ellas.
- Asegurelo usando (3) clavos de 16d (aprox. 3 ½” de largo) en cada extremo del cabezal.

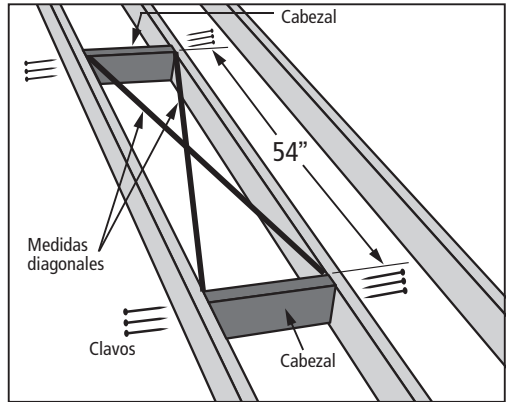


FIGURA 18

### B. Para abertura con eliminación de vigas del techo (Figura 19).

- Instale tablas como soportes temporales abarcando hacia ambos lados de la viga que será removida.
- Remueva la viga a una longitud suficiente para instalar los cabezales en ambos extremos de la abertura.

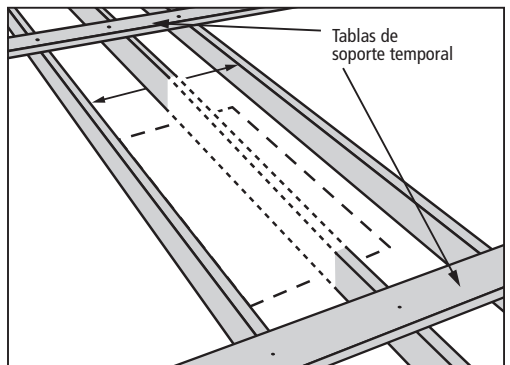


FIGURA 19

Continúa en la página siguiente...

**(Figura 20)**

- Coloque dos cabezales en cada extremo de la abertura y fíjelos con (3) clavos de 16d (aprox. 3 ½" de largo) en cada extremo de cada cabezal.
- Instale el larguero y compruebe la cuadratura, asegurándose de que las medidas diagonales estén dentro de ⅛" entre ellas.
- Sujete con (3) clavos de 4" en cada extremo del larguero.

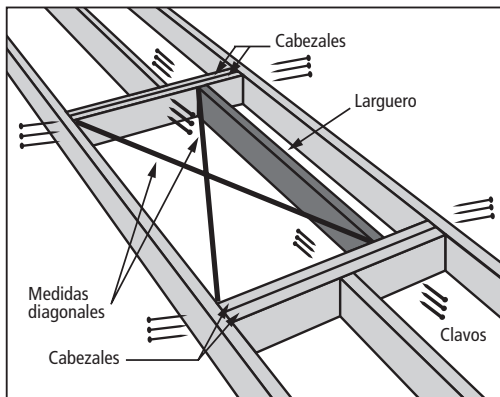


FIGURA 20

**PRECAUCIÓN: Solicite la aprobación de un Ingeniero o Arquitecto para la instalación que requiere de la remoción y/o eliminación de las vigas del techo o aberturas perpendiculares a las vigas del techo.**



**LOUISVILLE®**

LADDERS TRUSTED BY THE PROS FOR OVER 65 YEARS  
CON LA CONFIANZA DE LOS PROFESIONALES POR MAS DE 65 AÑOS

Customer service: **1-800-666-2811** or e-mail **info@louisvilleladder.com**  
Servicio al cliente: **1-800-666-2811** or e-mail **info@louisvilleladder.com**

**Louisville Ladder Inc.**  
7765 National Turnpike, Unit 190  
Louisville, KY 40214

1-(800)-666-2811 (U.S. & CANADA)  
1-(502)-636-2811 | FAX: 1-(800)-274-4566  
**www.LouisvilleLadder.com**

WA / AA Attic Ladder Installation Instructions (Eng / Spanish) 2017 v1 [F7964 REV 4]  
Aug 2017 | © 2017 Louisville Ladder, Inc. All rights reserved.