

ALUMINUM

ATTIC LADDER

WITH NEW ALUMINUM FRAME

INSTALLATION INSTRUCTIONS

INSTRUCCIONES DE INSTALACIÓN DE LA
ESCALERA DE ÁTICO DE ALUMINIO CON NUEVO MARCO DE ALUMINIO

MODELS / MODELOS:
AH2240MS, AP2240MS, AH2540MS



**To prevent accidents, read all instructions completely before beginning this installation.
Improper installation could result in SERIOUS BODILY INJURY OR DEATH.**

Inspect the attic ladder for shipping damage and missing parts:

- Check wooden door panel for splits and warpage.
- Check ladder side rails, steps and hardware for damage such as bends or cracks.
- Check that all rivets and other fasteners are tight.
- Gather all installer provided materials in **Table 1**.
- Check included hardware packs for items in **Table 2**. If any items are missing or damaged, return to point of purchase or contact **Customer Service at 1-800-666-2811**.

IMPORTANT SAFETY CONSIDERATIONS

1. The attic ladder is completely assembled. Do not disassemble the attic ladder to install. The Springs in this attic ladder are under pressure. **DO NOT** remove springs during installation.



**The door is under extreme pressure and must NEVER be opened before installation.
Opening the door or standing on the attic ladder's climbing sections prior to properly fastening to ceiling joists could cause SERIOUS BODILY INJURY OR DEATH.
DO NOT remove plastic strap holding the attic ladder sections together until instructed.**

2. This attic ladder is for occasional use by one person at a time. Not designed for frequent use in high traffic conditions, or by two people at a time. Do not exceed the load capacity with the weight of the climber and materials being transported.
3. **INSTALLATION REQUIRES TWO PEOPLE.** Do not install the attic ladder if your judgement or balance is reduced by age, health, alcohol or drugs.



Installation requires TWO PEOPLE at all times, as installation will block the attic door for an extended period of time while one installer is in the attic. Installers must stay in verbal contact with each other.

4. Installers must be able to team lift up to 50 pounds for attic ladder placement into the rough opening.
5. Evaluate the attic workspace for hazards that may include, but are not limited to, the following:
 - a. Low clearance rafters
 - b. Insufficient walking or working floor support
 - c. Trip hazards
 - d. Sharp nails or staples from roof decking
 - e. Extreme heat
 - f. Poor lighting
 - g. Poor ventilation
 - h. Loud noise that would hinder ability to communicate
6. Check the ceiling height to make sure the attic ladder length is correct. If the attic ladder is too short or too long, return it to the point of purchase for an exchange. Under no circumstance is this model attic ladder to be used when the ceiling-to-floor measurement is not within the "Ceiling Height Range" in **Table 3**.
7. Make sure there is no wiring or piping that the saw or drill can contact during installation.

8. Verify that the attic ladder meets local building codes, including fire separation requirements.
9. If the house has roof trusses, do not cut the trusses (ceiling joists) without consulting an engineer for approval.
10. Before installation, read all the instruction labels on the attic ladder shown in **Figure 1**.
11. The lag screws provided for the permanent installation are intended for ceilings constructed of standard 2" nominal wood joists as specified in the APPENDIX. Ceilings constructed with other materials may require different fasteners. Consult an engineer or building construction expert when installing in other types of ceiling construction.
12. Follow the "Adjust Ladder Length" instructions in Step 5 for proper trimming and adjustable shoe installation before standing on the ladder's climbing section.
13. Lubricate (spray silicon recommended) the pivot points of the right and left folding arm mechanisms (spreader bar assemblies) as needed to provide smooth, long-lasting operation.
14. After initial installation, check all fasteners before use. (At spreader bars, hinge, frame, ladder section connections, adjustable shoes and door).

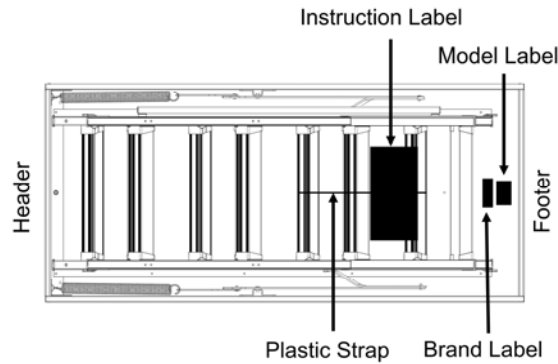


FIGURE 1: ATTIC LADDER LABEL LOCATIONS

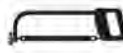

MINIMUM MATERIALS REQUIRED (not included)	
1. Multipurpose or straight ladder & stepladder	
2. Electric Drill and 5/32" and 7/16" Drill bits	
3. Phillips Head Screwdriver X2	
4. Hex Head 7/16" Wrench X2	
5. Hack saw	
6. Wood screws 2 1/2" (4)	
7. Shims (28+)	
8. Two support boards 1" x 4" x 32"	
9. Tape measure	
10. Rubber mallet	
11. Wire cutters	
12. Tin snips	
13. Rope	
14. Safety glasses	
15. Gloves	

TABLE 1: TOOLS AND EQUIPMENT NEEDED FOR INSTALLATION.

Note: Alternatively, power tools may be used to expedite installation.

Included with your attic ladder:

ALUMINUM SERIES (Kits inside the box)		AH2240MS, AP2240MS, AH2540MS
NO	ITEM	QTY
1	Metal Straps 14"	2
2	Pull Cord	1
3	Washer 1/4" x 1"	10
4	Plastic Bushings	13
5	Screw Philips #10 3/8"	2
6	Lag Screws 3"	13
7	Wood screws 1/4" x 1 1/2"	2
8	Adjustable Shoe	2
9	Nut 1/4"	4
10	Bolts 1/4" x 3/4"	4

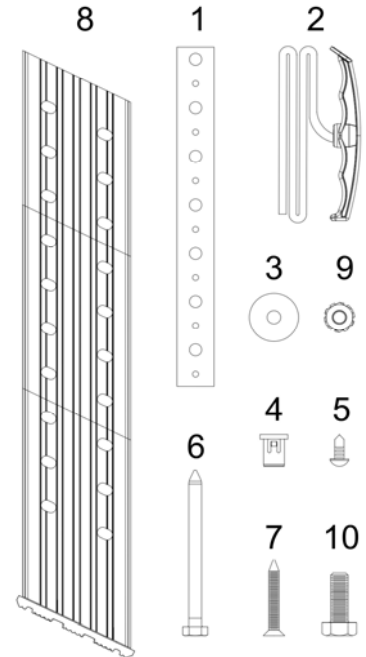


TABLE 2: INCLUDED HARDWARE.

Note: Extra parts (Bushings, Washers and Lag Screws) are included for alternative installation points. (See Figure 3 , Figure 17 and Figure 25)

INSTALLATION INSTRUCTIONS FOR ALUMINUM ATTIC LADDERS

Rough Opening verification (Replacement/New construction)

Attic Ladder location:

Allow ample room for the swing clearance and the landing space of the folding attic ladder when it is opened, (See **Figure 2** and **Table 3**). Locate the folding attic ladder rough opening so that you have adequate head clearance and walking area when entering the attic.

1. Replacement: Verify the current rough opening size and placement See **Figure 2** and **Table 3**. **If adjustments are needed, see APPENDIX to reframe the rough opening.**

2. New Construction: See APPENDIX for rough opening framing instructions.

READ INSTRUCTIONS AND WARNINGS COMPLETELY BEFORE STARTING.

Model	Rough Opening	Ceiling HT. Range "A"	Landing Space "B"	Swing Clearance "C"	Inside Step Width "D"
AH2240MS	22 1/2" X 54"	7'8" -10'3"	67"	74"	11 7/8"
AP2240MS					14 7/8"
AH2540MS	25 1/2" X 54"				

TABLE 3: INSTALLATION REQUIREMENTS

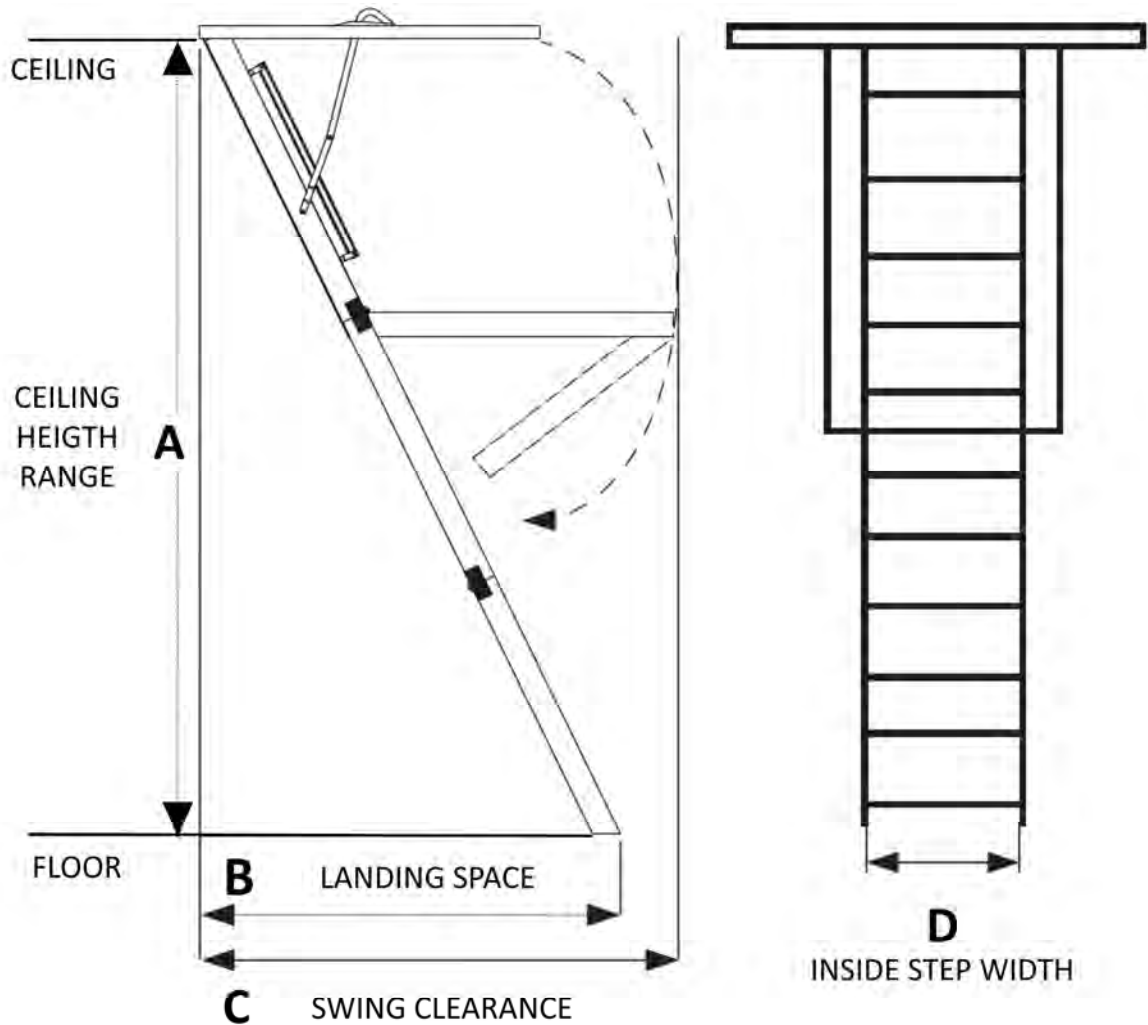


FIGURE 2



WARNING

The door is under extreme pressure and must NEVER be opened before installation. Opening the door or standing on the attic ladder's climbing sections prior to properly fastening to ceiling joists could cause SERIOUS BODILY INJURY OR DEATH. DO NOT remove plastic strap holding the attic ladder sections together until instructed.

STEP 1: PRELIMINARY INSTALLATION INSTRUCTIONS



Installation requires **TWO PEOPLE** at all times, as installation will block the attic door for an extended period of time while one installer is in the attic. Installers must stay in verbal contact with each other.



DO NOT INSTALL DURING EXTREME HEAT.

Temperatures in attics can be much hotter than home and outside temperatures. Extreme heat in attics can cause heat exhaustion (e.g., dizziness, headaches, severe sweating, dehydration, cramps) that may impede your ability to complete this installation. Stay in verbal contact with the other installer and stay well hydrated.

Installer #1 will work from the floor and Installer #2 will work from the attic.

The following instructions explain the tasks for each installer.
Prepare the attic ladder for installation into the rough opening.

- A. Position the attic ladder on a flat horizontal work surface.
- B. Install the plastic bushings from the outside of the aluminum frame by pressing or tapping lightly with a rubber mallet into the predrilled holes in the position shown in **Figure 3**. Alternative footer bushing holes will be drilled later, if needed.

NOTE: Be sure each plastic bushing is fully inserted and aligned in the holes, otherwise they may become loose or damaged during the installation.

Materials needed:

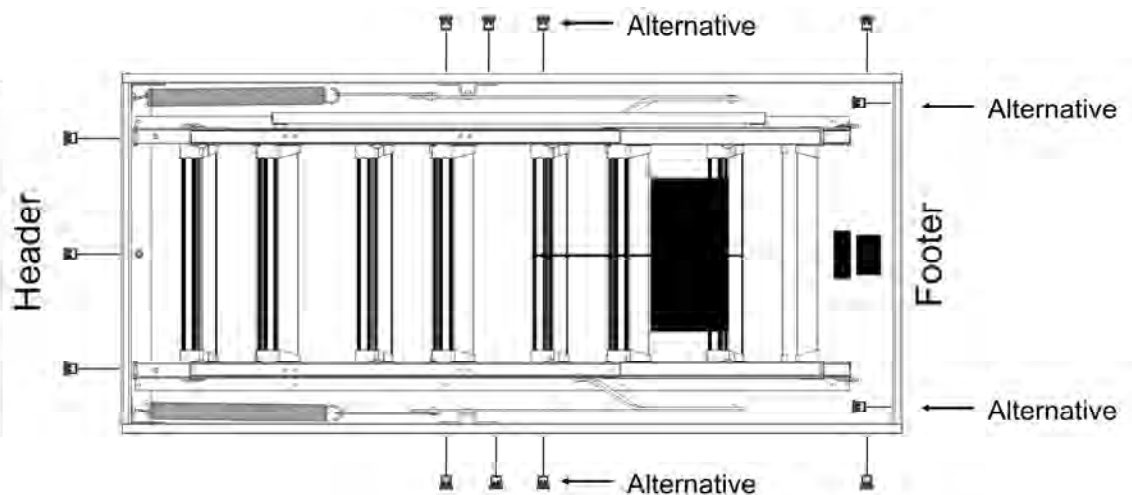
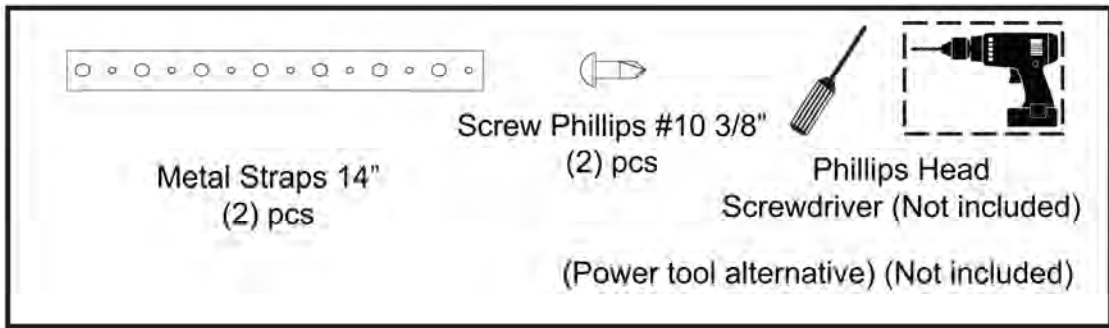


FIGURE 3: BUSHING LOCATIONS

Materials needed:



C. Carefully unfold the 14" metal straps, these could have sharp edges. Place a #10 3/8" Phillips screw through the **bottom** 1/4" diameter (large) strap hole. Position a metal strap against the side of aluminum frame over the predrilled hole as shown in **Figure 4** and **Figure 5**. **DO NOT** let the metal straps extend below the aluminum frame. See **Figure 7**. Hold the metal strap securely to prevent rotation of the strap while screwing it to the aluminum frame.

D. Repeat installation of second strap on the opposite side.

E. Position both straps vertically as shown in **Figure 5**. Fold both straps inward over the climbing section and out of the way. See **Figure 6**.

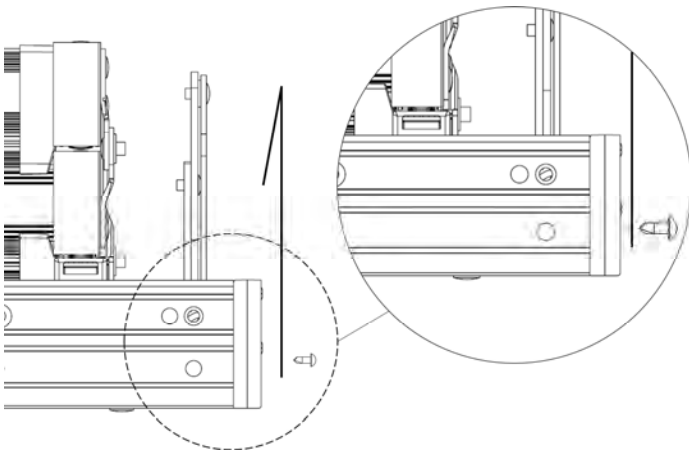


FIGURE 4 : STRAP INSTALLATION

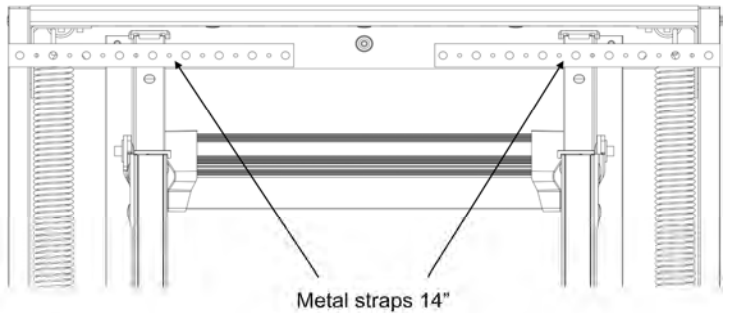


FIGURE 6: STRAP POSITION

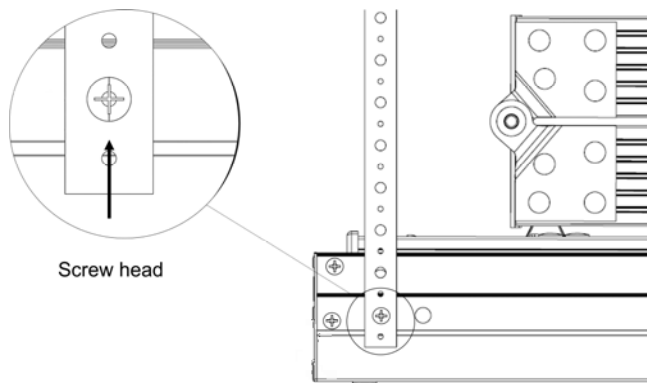


FIGURE 5: STRAP POSITION

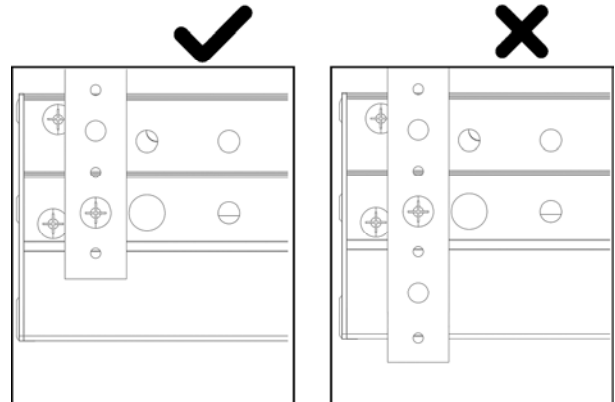
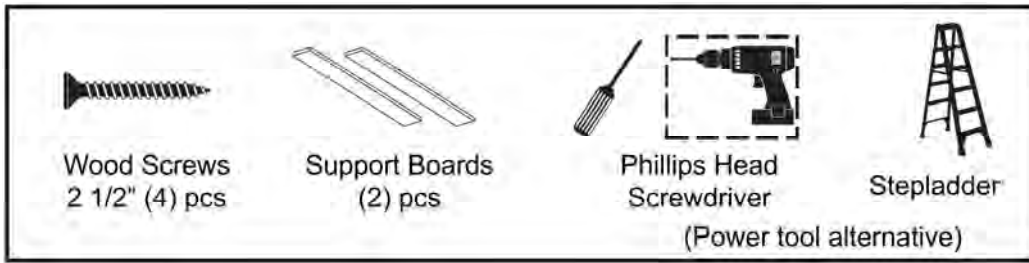


FIGURE 7

Materials needed (Not Included):



F. Attach temporary supports boards “A” and “B” (1” x 4” x 32”) with 2-1/2” wood screws (not included). Support “A” will be 3” from the rough opening at the header/hinge end. Support “B” will be 8” from the rough opening at footer end. Be sure to follow these board placement dimensions so the temporary support boards do not hinder the remaining installation steps. See **Figure 8** and **Figure 9**.

NOTE: Be sure all temporary support board screws penetrate into the ceiling joists to support the weight of attic ladder.

IMPORTANT: NEVER use deck or drywall screws, they are not structurally rated for this application.

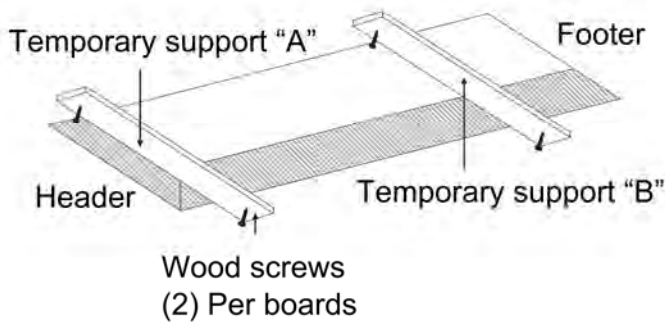


FIGURE 8 : BOARD SUPPORT INSTALLATION

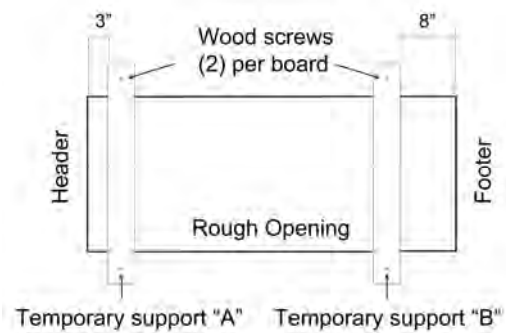


FIGURE 9 : BOARD SUPPORT LOCATIONS

STEP 2: PLACING THE ATTIC LADDER INTO THE ROUGH OPENING



DO NOT INSTALL DURING EXTREME HEAT

Temperatures in attics can be much hotter than at home and outside temperatures. Extreme heat in attics can cause heat exhaustion (e.g., dizziness, headaches, severe sweating, dehydration, cramps) that may impede your ability to complete this installation (stay well hydrated). Installers must stay in verbal contact with each other.



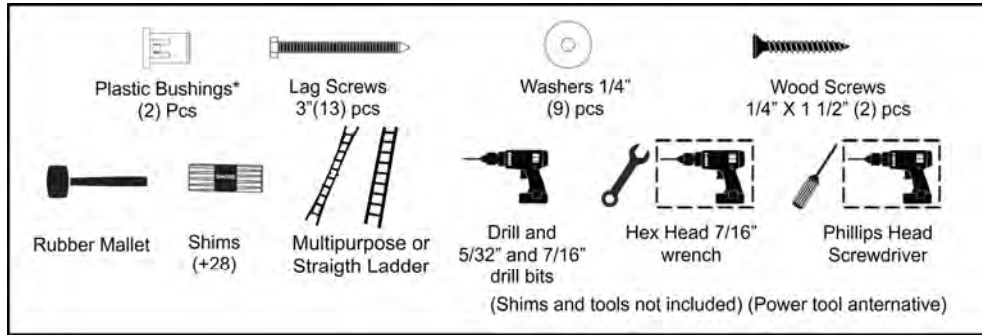
ROUGH OPENING IS A POSSIBLE HAZARD.

Installer #2 is temporarily working around a floor opening and could fall. Appropriate care is needed to maintain good balance and to keep a safe distance from the opening, when possible. Installer #2 should NOT store materials on the attic ladder or the attic door as materials may fall when opening the door.

NOTE: Installer #2 will be unable to exit the attic until the installation is complete.

Be sure installer #2 has all the materials and tools needed to complete the tasks to be performed from above. Be sure there is electricity or sufficient battery power for the duration of the installation for lighting and power tools. Before work, assess the area to be sure your workplace is safe (overhead hazards, floor support, heat, etc.)

Material needed in the attic:



G. Installer #2: Climb into the attic using an appropriate ladder (example: multipurpose, single ladder or extension ladder)

Follow all instructions on this ladder. Access space is tight, so be careful to not strike or catch anything in the rough opening or disturb the temporary support boards.

H. Both installers need to work together to position the attic ladder on the temporary support boards. When installer #2 is in the attic and ready to assist. Installer #1 will raise the attic ladder into the rough opening. See **Figure 10**. You must not climb a ladder while lifting the attic ladder into the rough opening or you could fall. If the ceiling height or weight of the attic ladder makes lifting difficult or impractical, secure a rope to the attic ladder so Installer #2 can assist by pulling on the rope to raise the attic ladder into rough opening and placing it on the temporary support boards.

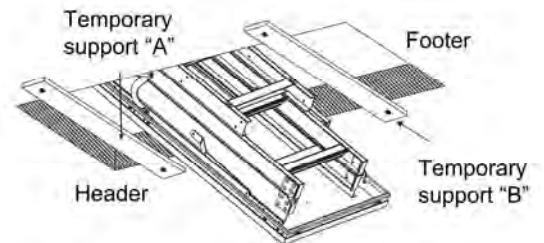


FIGURE 10 : PLACING THE ATTIC LADDER INTO THE ROUGH OPENING

I. Installer #2: After the attic ladder is resting on the temporary support boards, push the aluminum frame AGAINST THE HEADER BOARD AND CENTER IT, side-to-side, in the rough opening.

J. Installer #1 & #2: Place temporary shims from below and above between the aluminum frame and the rough opening at the footer end to keep the opposite end (header/hinge) CENTERED within the rough opening and TIGHT AGAINST THE HEADER BOARD. See **Figure 11**. Temporary shims should provide uniform support so there is no twisting or bowing of the aluminum frame. See **Figure 12** for temporary shims locations at the footer end. Make sure the attic ladder is firmly supported on the temporary supports and has not been lifted.

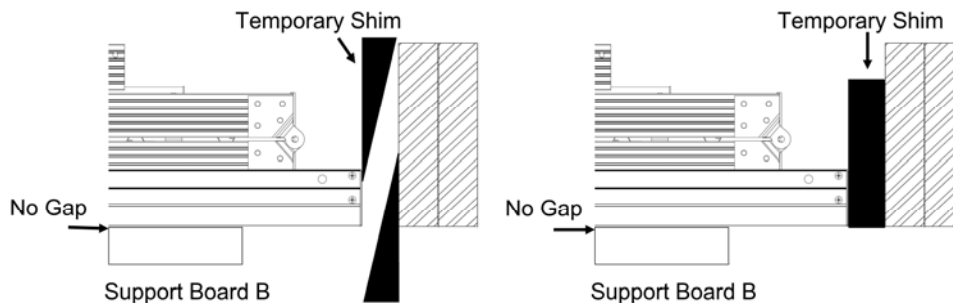


FIGURE 11 : SHIMMING THE FOOTER

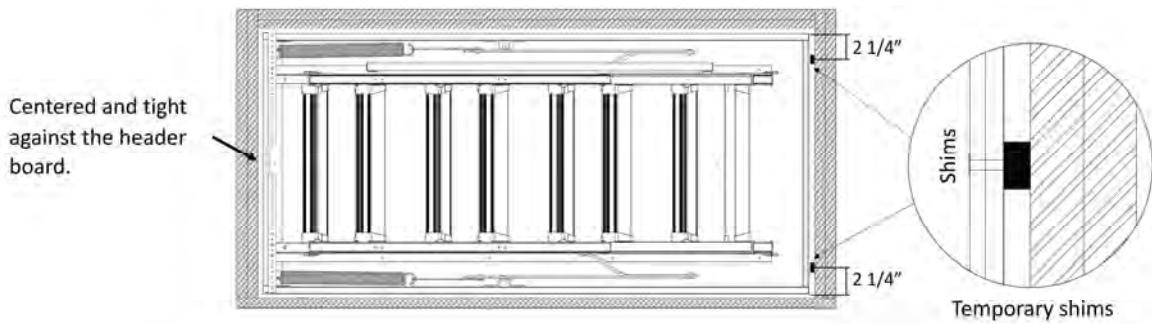


FIGURE 12 : SHIMMING THE FOOTER

K. Before continuing, Installer #1 must measure the diagonals of the aluminum frame to ensure the attic is square. Diagonal measurements A1 and A2 should match within 1/8". See **Figure 13**. If not, your attic ladder door may not close properly. If measurements do not match, adjust the attic ladder moving the footer end side-to-side. This may require adjusting the shims. Be sure to keep the header/hinge end centered in the rough opening as you square the attic ladder. Use shims if necessary.

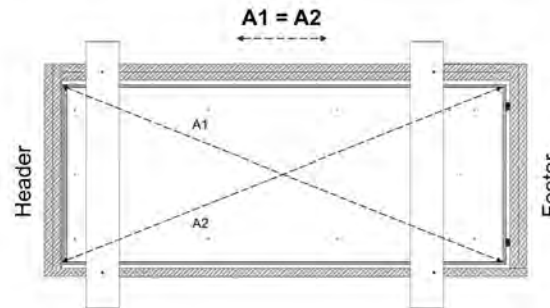


FIGURE 13 : SQUARING THE ATTIC LADDER

STEP 3: SECURING THE ATTIC LADDER INTO THE ROUGH OPENING

L. Installer #2: Unfold the 14" metal straps and bend them over the adjoining ceiling joists. Screw them in place with the wood screws (1/4" x 1-1/2") passing through the 1/4" diameter hole in the metal strap and into the wood joists. See **Figure 14** and **Figure 15**. Be sure the straps are taught to support the weight of the attic ladder.

DO NOT lift the attic ladder off the temporary support boards.

Materials needed:

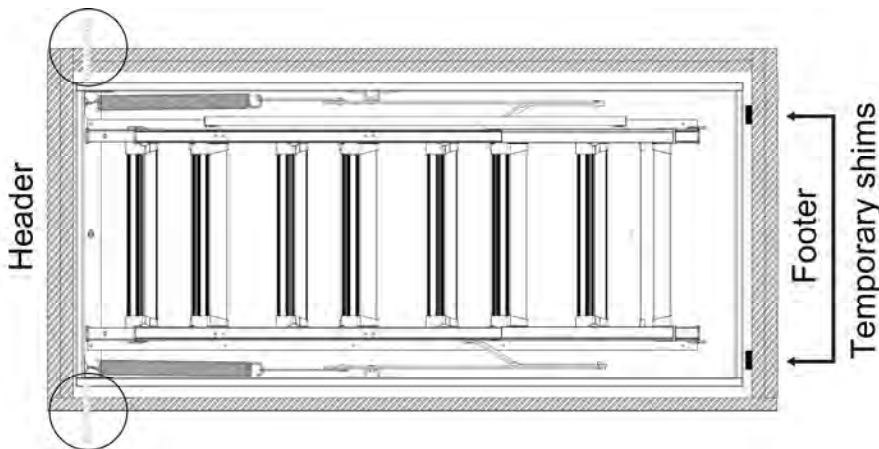
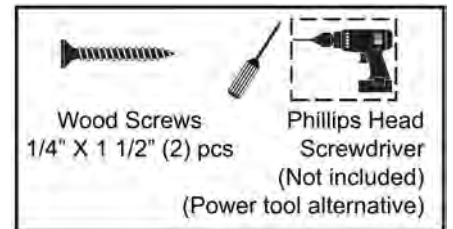


FIGURE 14 : SECURING THE METAL STRAPS

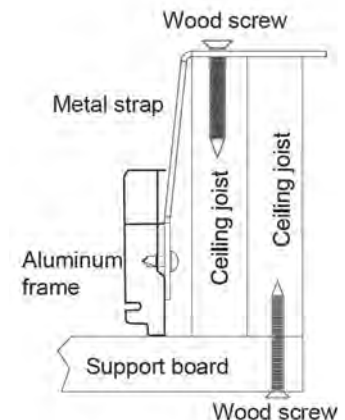


FIGURE 15



NEVER USE DECK OR SHEETROCK SCREWS IN PLACE OF THE LAG SCREWS PROVIDED.
Deck or sheetrock (drywall) screws are not suitable for supporting attic ladder loads.



DO NOT CLIMB ON THE ATTIC LADDER SECTIONS. Standing or climbing on the attic ladder's climbing sections prior to adjusting the ladder length and installing the adjustable shoes (STEP 5) could result in a fall and cause **SERIOUS BODILY INJURY OR DEATH.**

M. Installers #1 and #2: With the header end of the attic ladder supported by metal straps, the footer end of the frame can now be secured. Check again that the header is tight against the header board and temporary shims are positioned at the footer according to **Figure 12** and that the attic ladder has not lifted off the temporary support boards.

N. Installer #1 and #2: Place shims from above and below (See **Figure 16**) at the 2 pre-drilled holes at position 1 indicated in **Figure 17**. The shims should provide uniform support so there is no twisting or bowing of the aluminum frame. Drill 5/32" diameter by 3" deep pilot holes into the ceiling joist through the bushings at position 1. Install the two lag screws to secure the attic ladder side frames.

NOTE: Only when you are NOT able to install the bushings at positions 1 due to obstructions, should you follow the next instructions for the alternative position 1*.

If using the alternative position: Drill 2 holes using 7/16" drill bit from the inside of ladder **only through aluminum footer profile** (See **Figure 18**) and centered at the location you placed the footboard shims in Section J. **At this point the footer shims will become a necessary permanent part of the installation.** Next, install plastic bushings following the same procedure as in Section B. See **Figure 17** and **Figure 18**. Then, drill 3" deep pilot holes through the bushings, shims and into the ceiling joists. Finally install two lag screws and two washers at each footer location to secure the attic ladder. (See **Figure 18**)

IMPORTANT: Do not force or deform the aluminum frame with the shims. This may cause an un-square condition. If the frame is not properly square the attic door may not close properly

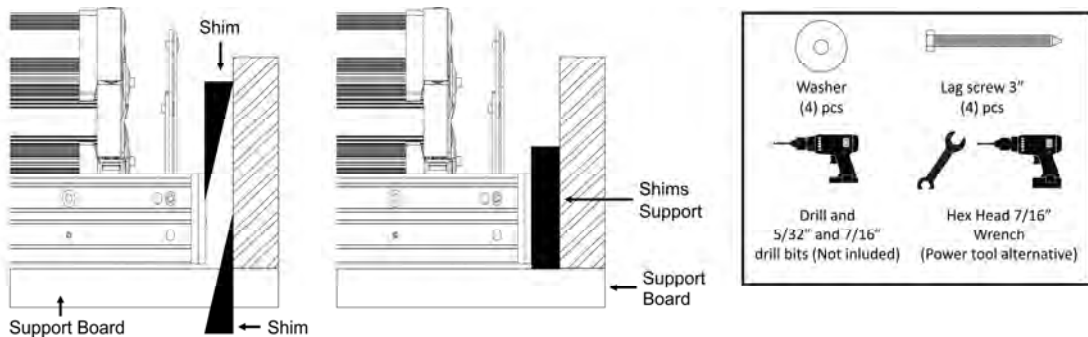


FIGURE 16 : SHIMMING SIDE FRAME.

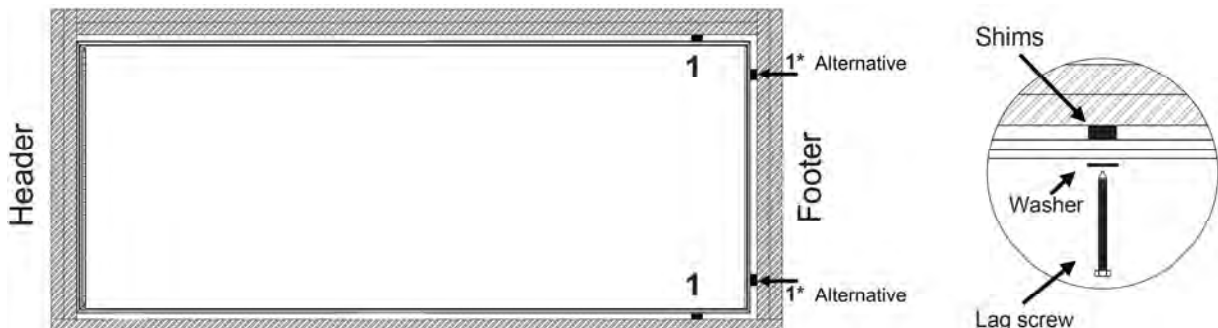


FIGURE 17 : DRILLING AND SECURING PILOT HOLES AT SIDE

Note: Extra parts (Bushings, Washers and Lag Screws) are included for alternative installation points.

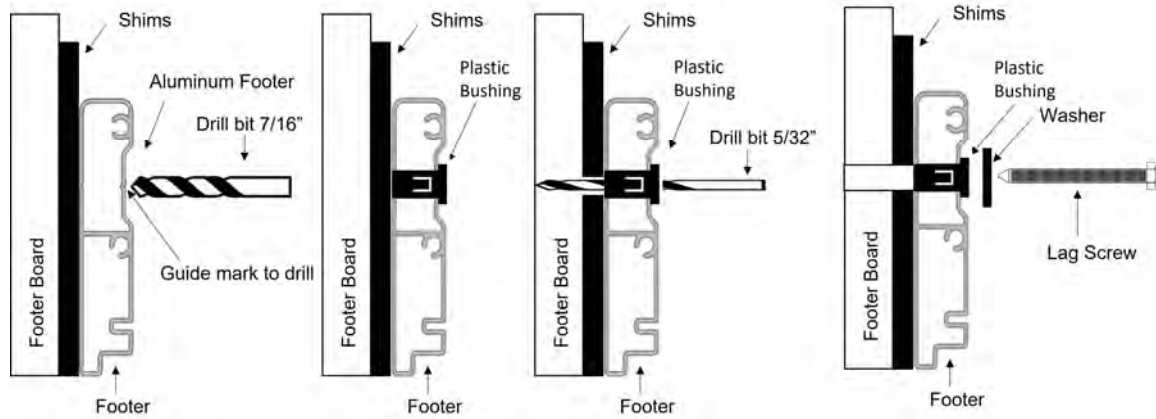


FIGURE 18: ALTERNATIVE INSTALLATION (SEE NOTE ON SECTION N)

O. Installer #1: Remove the temporary wood support boards “A” and “B” from the ceiling. See **Figure 19**

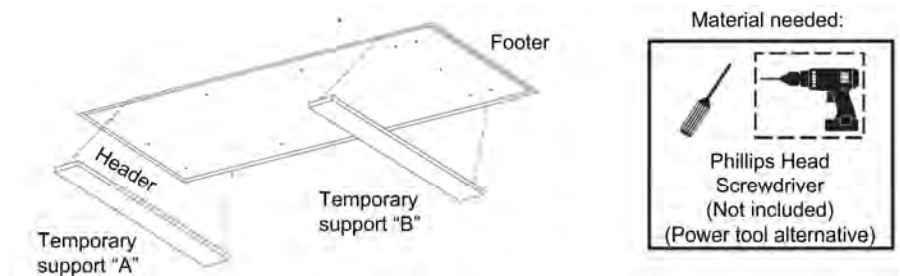
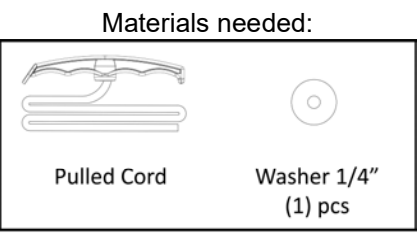


FIGURE 19 : REMOVING TEMPORARY SUPPORT BOARDS

P. Installer #2 Make sure no materials are stored on the attic ladder door as these may fall when opening the door. Installer #1 and #2: Carefully open the attic ladder door and make sure the spreader bars are fully extended to avoid unexpected door closure.

IMPORTANT: If the frame is not square the attic door may not open and close properly.



Q. Installer #1:
Attaching pull cord: Thread the pull cord through the pre-drilled hole in the attic ladder door. Place the 1/4" x 1" washer on the top side of the attic door panel and tie a knot in the end of the cord. The length of the cord can be adjusted after the ladder is completely installed. Be sure the knot is large enough, so it does not slip back through the hole. See **Figure 20**.

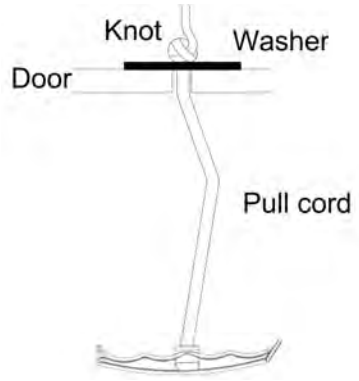
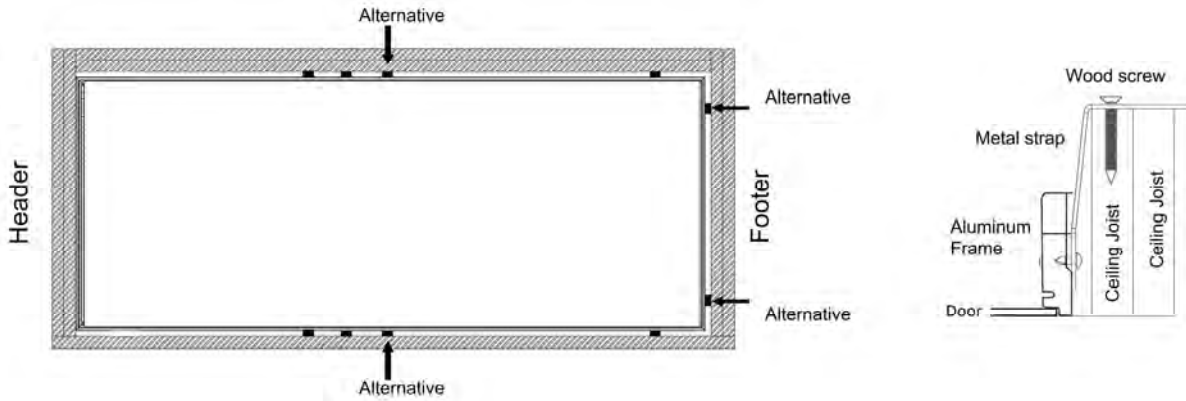


FIGURE 20 : ATTACHING PULL CORD

R. Installer #1 Open and close the attic ladder door several times to ensure it is centered in the frame and does not bind. The door should fully seat within the frame recess (See **Figure 21**). If the door is NOT centered and it binds or overhangs onto the frame, additional adjustments will be needed.

Installer #1 and #2: Position shims between the attic ladder side frame at the header end on one side of the frame to move the frame slightly and square the ladder. Installers may need to repeat the process of adjusting the frame side to side at the header/hinge end until the door is centered and opens and closes cleanly within the frame recess.



Note: Install shims as needed to square frame.

FIGURE 21 : SQUARING THE ATTIC LADDER

S. Installer #1: Carefully open the door and make sure the spreader bars are fully extended to avoid unexpected door closure. Be sure the header hinge does not move. Installer #2: Drill 5/32" diameter by 3" deep pilot holes into the header through the 3 bushings in the frame. Install the 3" lag screws and washer in each location. See **Figure 22**.

IMPORTANT: Do not force or deform the aluminum frame when tightening the lag screws.

Materials needed:

			
Lag Screws 3" (3) pcs	Washers (3) pcs	Drill and 5/32" drill bit	Hex Head 7/16" Wrench (Not included) (Power tool alternative)

X: 3" Lag screw (3) pcs **W:** Washer (3) pcs



FIGURE 22 : SECURING THE HEADER END OF ATTIC LADDER

STEP 4: FINALIZING THE ATTIC LADDER INSTALLATION



WARNING

DO NOT CLIMB ON THE ATTIC LADDER SECTIONS.

Standing or climbing on the attic ladder's climbing section prior to adjusting the ladder length and installing the aluminum shoes could result in a fall and cause **SERIOUS BODILY INJURY OR DEATH**.

These remaining instructions are necessary to ensure the attic ladder climbing section is properly supported for use and possible obstructions and catch points are removed.

T. Installer #2: With the aluminum attic ladder frame secured and the door open, remove the wood screws from the metal straps. Cut the metal straps as close as possible to the aluminum frame. Be careful of any sharp edges. Turn any excess strap material down between the aluminum frame and rough opening to eliminate a possible catch point. **See Figure 23.**

Materials needed:

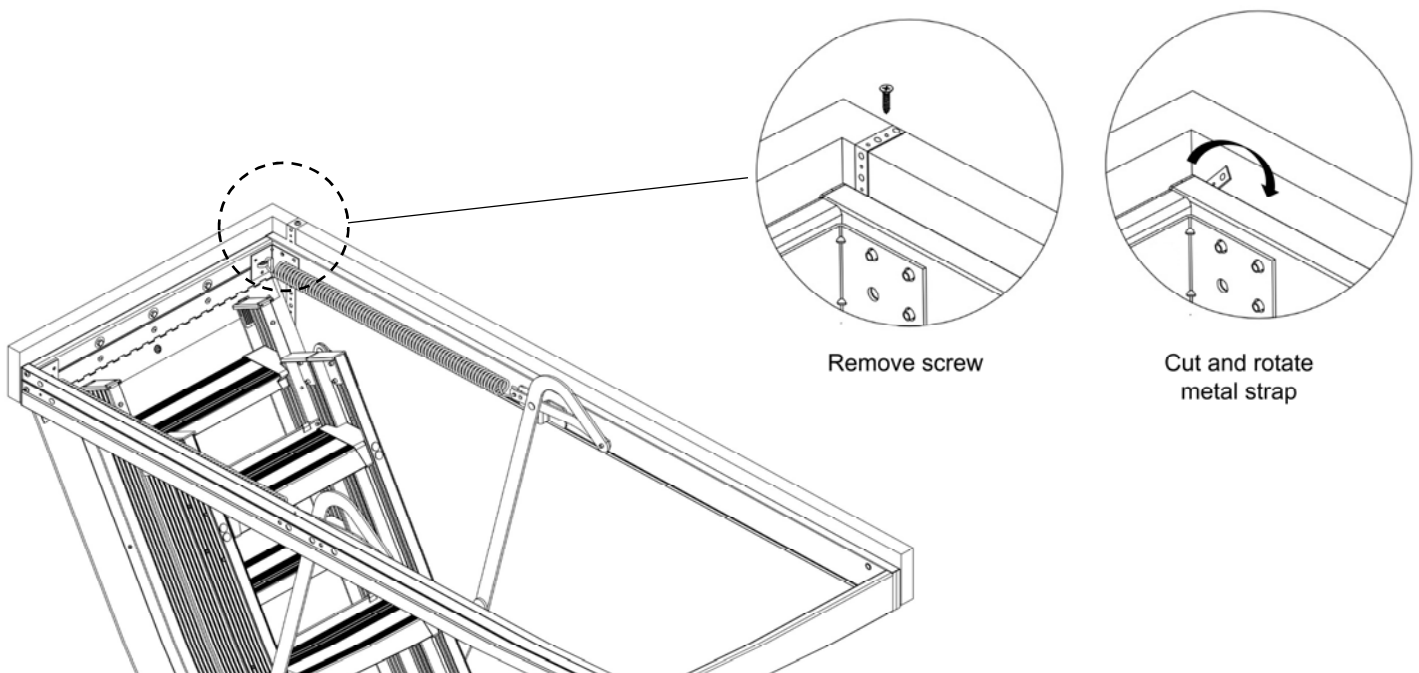
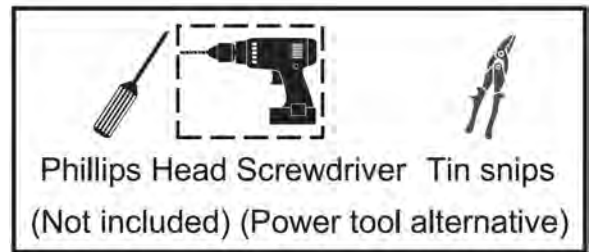


FIGURE 23 : REMOVING EXCESS METAL STRAP MATERIAL

U. Installer #1 and #2: Position shims from above and below at the 4 pre-drilled pivot plate holes on each frame side rail at position 2 (See **Figure 24**). The shims should provide uniform support so there is no twisting or bowing of the aluminum frame. Drill 5/32" diameter by 3" deep pilot holes into the ceiling joists through the bushings at position 2. Install the 4 lag screws to secure the attic ladder (see **Figure 25**).

NOTE: Only when you are NOT able to install the lag screws at positions 2 through the pivot plates due to obstructions, should you follow the next instructions for the alternative position 2*.

If using the alternative position: Position shims from above and below at the alternative positions 2*. Then, drill 5/32" diameter x 3" deep pilot holes through the bushings, shims and into the ceiling joists. Finally, install the two lag screws and two washers to secure the attic ladder.

Materials needed:

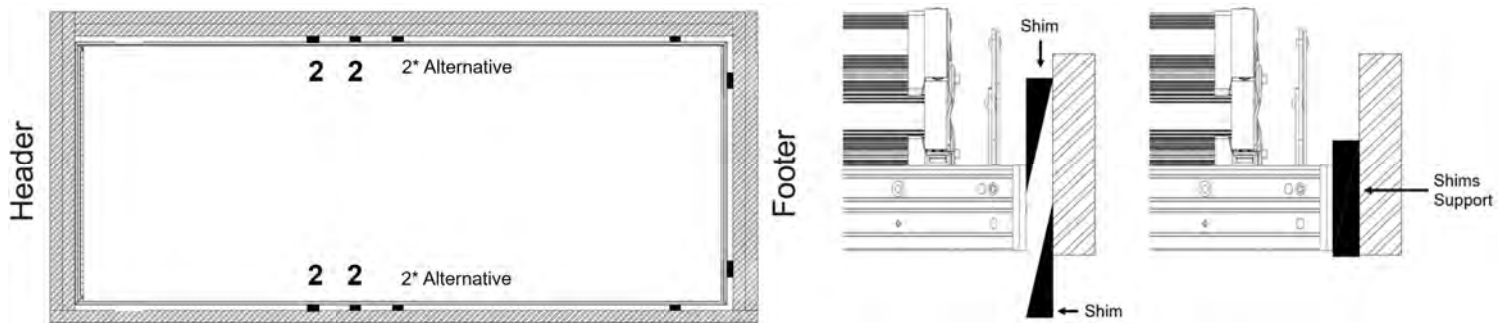


FIGURE 24 : SHIMMING SIDE FRAME

X: 3" Lag screw (6) pcs W: Washer (2) pcs

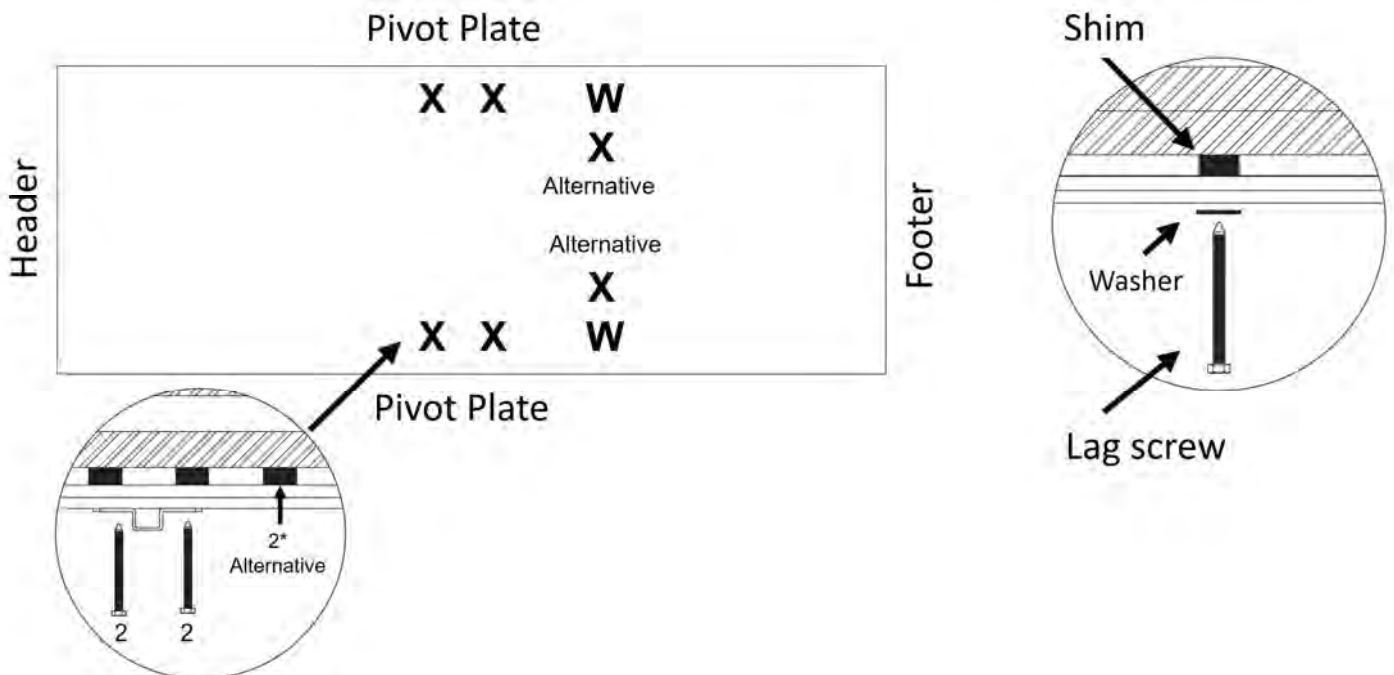


FIGURE 25 : SECURING SIDE FRAME RAILS

STEP 5: ADJUSTING THE ATTIC LADDER LENGTH

Final steps to complete the attic ladder installation.

V. Installer #1 Measure and record the ceiling height. Ceiling Height: _____

W. Installer #1: **YOU MAY NOW REMOVE THE PLASTIC STRAP HOLDING THE ATTIC LADDER SECTIONS TOGETHER.**

With a wire cutter, remove the plastic strap that is holding the ladder sections in a closed position. Carefully unfold the ladder sections to the ground. Position the bottom section behind the middle section. Be careful when opening the sections to not damage the door. See **Figure 26**.

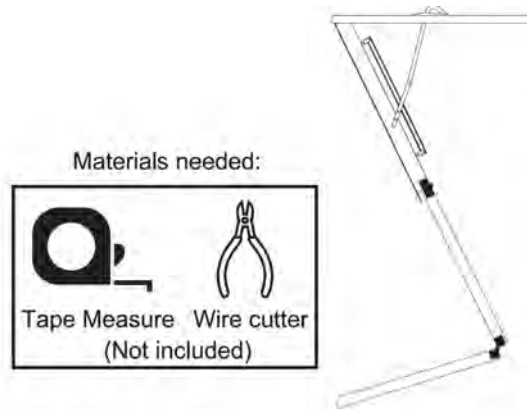


FIGURE 26 : UNFOLDING LADDER SECTIONS

X. Reference the ceiling height you recorded in Section V and determine the location to cut the attic ladder side rails and adjustable shoes for your ceiling height. See **Table 4** and **Figure 27** and **Figure 28**.

Rail Cut Location: _____

Adjustable shoe Cut Location: _____

Installer #1: Cut the ladder side rails and adjustable shoes at the appropriate location. See **Figure 27** and **Figure 28**. Be careful of sharp edges after making the cuts.

AH2240MS, AP2240MS, AH2540MS		
CEILING HEIGHT	RAIL CUT LOCATION	ADJUSTABLE SHOE CUT LOCATION
7'8" - 7'9"	Angle cut at step #3	Line E
7'10" - 7'11"	Straight cut at line C	Line E
8' - 8'3"	Straight cut at line C	Line D
8'4" - 8'6"	Straight cut at line C	No Cut
8'7" - 8'8"	Angle cut at step #2	No Cut
8'9" - 9'2"	Straight cut at line B	No Cut
9'3" - 9'4"	Straight cut at line A	No Cut
9'5" - 9'10"	Angle cut at step #1	No Cut
9'11" - 10'3"	No Cut	No Cut

TABLE 4 : RAIL AND ADJUSTABLE SHOE CUT LOCATIONS

Materials needed:

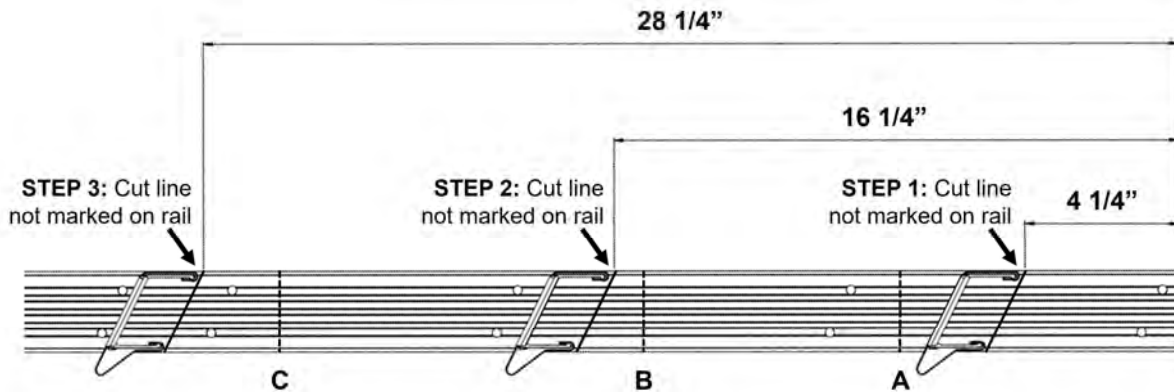
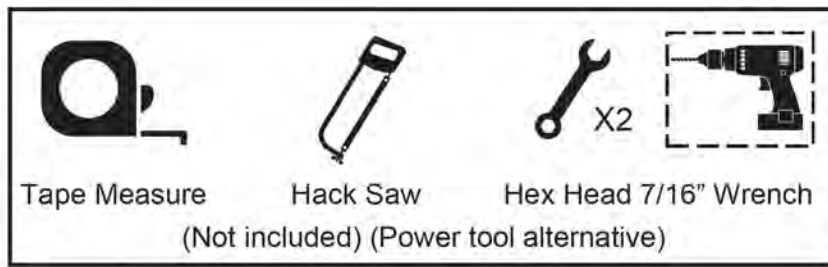


FIGURE 27 :RAIL CUT LOCATION, LADDER RAILS

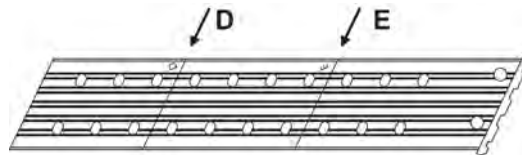


FIGURE 28 :ADJUSTABLE SHOE CUT LOCATION (CUT WHEN REQUIRED)

Y. Installer #1: Push down on the top and middle sections of the attic ladder to ensure the door is open and the spreader bars are fully extended. Slide the adjustable shoe over the ladder side rail as shown in **Figure 29**. You may need to tap the adjustable shoe with a rubber mallet to be sure that there is a tight fit. Position the adjustable shoe so the rubber shoe pad is in firm contact with the floor. Again, check that the spreader bars are fully extended. Align the adjustable shoe over the predrilled holes on the ladder side rail. Use the closest set of pre-drilled holes ensuring that the feet are touching the floor. You may need to slightly adjust the attic ladder sections to allow the adjustable shoe to move down to the next closest holes. Use (2) 1/4" bolts and serrated nuts to attach the adjustable shoe to the attic ladder side rail. Tighten both fasteners. Repeat adjustable shoe installation on the opposite side rail.

Materials needed:

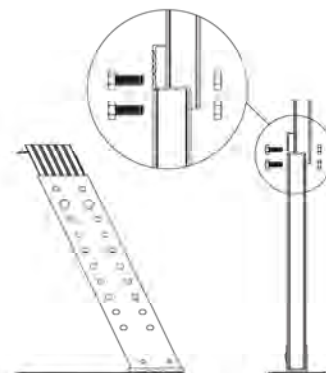
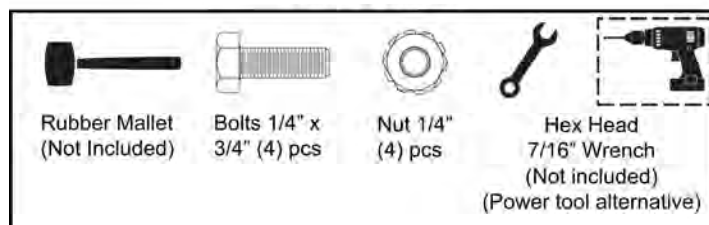


FIGURE 29 : ADJUSTABLE SHOE INSTALLATION

Z. Installer #1: Verify that there are no gaps between the ladder sections and that both feet are supported on the floor. Trimmed correctly, the attic ladder should look like **Figure 31**. Minor adjustments to eliminate section gaps and to position both feet on the floor can be made by re-positioning the adjustable shoes in different rail holes.

If the attic ladder looks like **Figure 30**, then the bottom section is too short, and the attic ladder is not safe to use. The adjustable shoes may be repositioned to new mounting holes to correct, otherwise, a new lower section or adjustable shoe may need to be purchased from the manufacturer. If the attic ladder looks like **Figure 32**, the bottom section is too long, and the attic ladder is not safe to use. The legs may need to be trimmed further, or adjustable shoe repositioned.

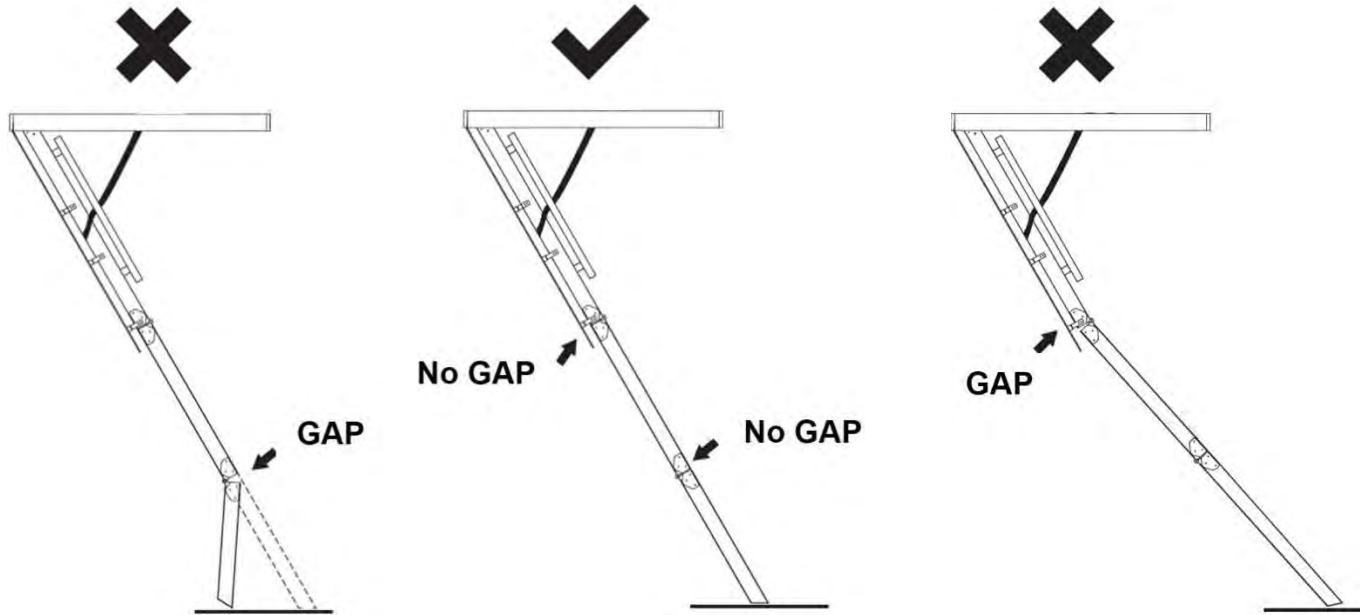


FIGURE 30 :BOTTOM SECTION IS TOO SHORT

FIGURE 31 : FEET FLUSH WITH FLOOR

FIGURE 32 : BOTTOM SECTION IS TOO LONG

Installer #2 may now safely egress the attic space using the newly installed aluminum attic ladder.

ADDITIONAL STEPS/ INFORMATION:

- 1.-Trim shims to prepare frame opening for finishing and to remove catch points and trip hazards.
- 2.-The frame opening can now be finished.
- 3.- Periodically lubricate (spray silicone recommended) pivot points on the right and left spreader bars and every hinge to provide smooth, long-lasting operation.

See **Figure 33**

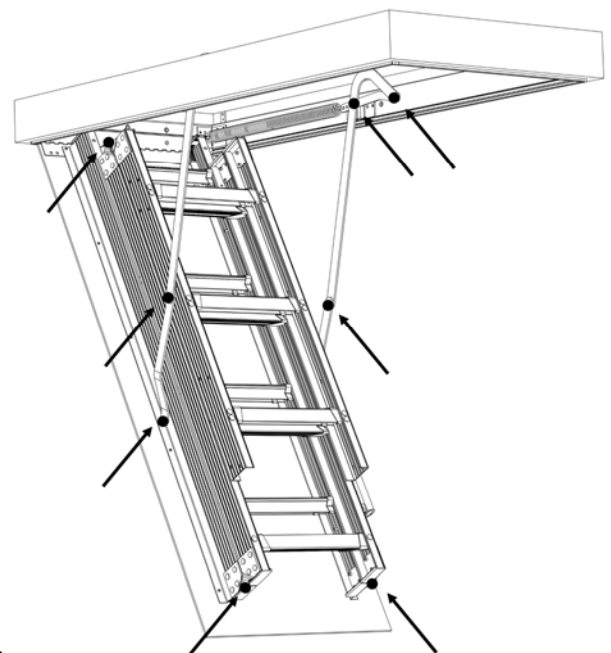


FIGURE 33 : LUBRICATION POINTS

Recommendation for door paint:

An oil base primer coat should be applied to the door surface with a brush. This seals the door material to avoid possible water damage during painting.

One option is Kilz Brand Oil-Base Original Interior Primer. Apply to the entire exterior door surface to ensure suitable protection and uniform appearance of the topcoat.

The surface is ready for painting 1 hour after application of the primer. The Kilz primer works with Alkyd, Oil and Water-based topcoats.

Available replacement parts:

Ladder Model	AH2240MS	AH2540MS
	AP2240MS	
Adjustable Shoe	PK1277	
Installation Kit	PK1279	
Bottom Section	PK1281	PK1282
Spreader bar Right	PK1297-RH	
Spreader bar Left	PK1297-LH	
Door Pull	PR601092	
Hinges	PK1059	
Spring	PR04200080	
Handrail Right	PK1273	
Instruction Label Kit	PK1291	
Cap Cover Step	PK1290	
Plastic End Cap Upper Section	PK1292	
Weather Stripping	PK1294	

TABLE 5 : REPLACEMENT PARTS

ADDITIONAL COMMENTS

Why doesn't my door close properly?

A= Go to Step 3 and ensure squareness of the frame.

What if my adjustable shoe is not flush with the floor?

A= You may have cut the section improperly. Review Step 5 or contact Customer Service for assistance 1-800-666-2811.

APPENDIX – Framing a rough opening parallel to ceiling height joists.

Make a rough opening to the size as required in **Table 3** ensuring that the dimensions of the diagonals of the frame are the same as illustrated in **Figure 34**.

A. For rough opening without joist removal.

See **Figure 34**.

- Locate headers in front and rear of the opening.
- Check the squareness by making sure that diagonal measurements are within 1/8".
- Secure using three 16d nails into each end of the header.

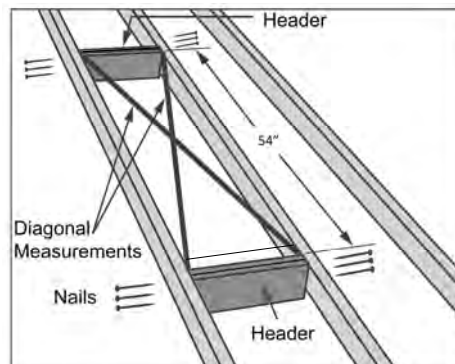


FIGURE 34

B. Rough opening with joist removal.

See **Figure 35**.

- Install temporary support boards spanning both sides of joists to be removed.
- Remove joist at length to allow for double headers to be installed on both ends of opening.

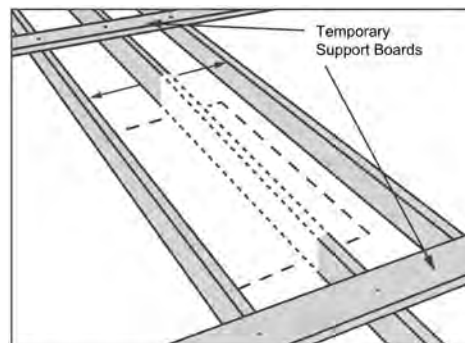


FIGURE 35

See **Figure 36**.

- Locate double headers at each end of opening and secure with three 16d nails into each end of the headers. Install stringer and check for squareness by making sure that diagonals are within 1/8".
- Secure using three 4" nails into each end of the stringer.

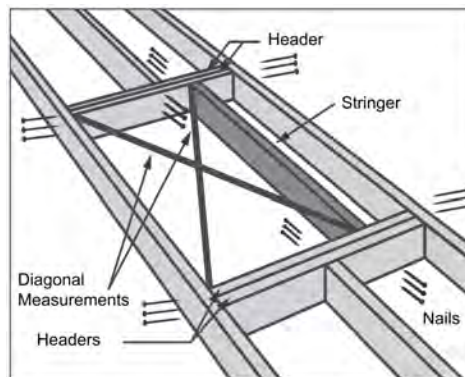


FIGURE 36

CAUTION: Consult an engineer or building construction expert for installation that requires the removal of roof trusses or rough openings perpendicular to the ceiling joists.

Customer service USA: 1-800-666-2811

English/ Spanish (F12082) Rev 0, Jun /2023



Para prevenir accidentes, lea las instrucciones completamente antes de iniciar la instalación. La instalación inapropiada de la escalera puede resultar en LESIONES CORPORALES GRAVES O LA MUERTE.

Inspeccione la escalera de ático en busca de daños en el envío o piezas faltantes.

- Revise la puerta de madera para ver si no cuenta con grietas o deformaciones.
- Revise largueros laterales de la escalera, peldaños y herrajes en busca de daños tales como dobleces o grietas.
- Revise que todos los remaches y sujetadores estén ajustados.
- Reúna todos los materiales de la **Tabla 1**.
- Revise los kits de componentes incluidos en la **Tabla 2**. Si algún componente falta o está dañado, devuélvalo al punto de compra o comuníquese a **Servicio al Cliente 1-800-666-2811**.

CONSIDERACIONES IMPORTANTES DE SEGURIDAD

1. Esta escalera de ático está completamente ensamblada. No desensamble la escalera para instalarla. Los resortes en esta escalera de ático están bajo presión. **NO** intente quitar los resortes durante la instalación.



La puerta está bajo presión extrema y NUNCA debe abrirse antes de la instalación. Abrir la puerta o pararse en las secciones de la escalera de ático antes de sujetarla correctamente a las vigas del techo podría causar LESIONES CORPORALES GRAVES O LA MUERTE. NO remueva el cintillo plástico que sostiene las secciones de la escalera de ático hasta que se indique.

2. Esta escalera de ático es para uso ocasional por (1) persona a la vez. No está diseñada para uso frecuente en condiciones de alto tráfico, o por dos (2) personas a la vez. No exceda la capacidad de carga con el peso de la persona y el peso de los materiales que se transporten.
3. **LA INSTALACION REQUIERE DOS PERSONAS.** No instale la escalera de ático si su juicio o equilibrio están disminuidos por la edad, salud, alcohol o drogas.



La instalación requiere DOS PERSONAS en todo momento, la instalación bloquea la puerta de la escalera de ático por un periodo de tiempo prolongado mientras un instalador se encuentra en el ático. Los instaladores deben mantenerse en contacto verbal entre sí.

4. Los instaladores deben poder levantar en equipo 23 kilogramos para colocar la escalera de ático en la abertura del techo.
5. Evalúe el área de trabajo del ático en busca de posibles peligros por ejemplo los siguientes, no está limitado a estos solamente:
 - a. Vigas con poca altura
 - b. Falta de soportes en el suelo para caminar o trabajar
 - c. Riesgo de tropezarse
 - d. Clavos afilados o grapas en el techo del ático
 - e. Calor extremo
 - f. Mala iluminación
 - g. Mala ventilación
 - h. Ruido fuerte que dificulte la capacidad de comunicarse

6. Verifique la altura de techo para asegurarse que la longitud de la escalera de ático sea la correcta. Si la escalera de ático es muy corta o muy larga, devuélvala al punto de compra para cambiarla. Bajo ninguna circunstancia se debe usar este modelo de escalera de ático cuando la medida del techo al suelo no se encuentra dentro del "Rango de Altura de Techo" en la **Tabla 3**.
7. Asegúrese que no haya cables o tuberías con los que la sierra de mano o el taladro puedan estar en contacto durante la instalación.
8. Verifique que la escalera de ático cumpla con los códigos de construcción locales, incluyendo requerimientos de barreras contra incendios.
9. Si la casa tiene vigas en el techo no las corte sin antes consultar a un ingeniero para su aprobación.
10. Antes de la instalación, lea todas las etiquetas de instrucciones de la escalera que se muestran en la **Figura 1**.
11. Las pijas hexagonales provistas para la instalación permanente están destinadas para techos construidos con estándar de 2" nominales de madera para vigas de construcción como se especifica en el APENDICE. Techos construidos con otros materiales, pueden requerir diferentes sujetadores. Consulte con un ingeniero o experto en construcción de edificios cuando instale en otro tipo de construcciones de techo.
12. Siga las instrucciones "Ajuste el largo de la escalera" en el Paso 5 para un corte apropiado e instalación de los tacones deslizables antes de pararse en las secciones de la escalera.
13. Lubrique (se recomienda espray de silicona) los puntos pivotes derecho e izquierdo del brazo mecánico (ensamble de brazos de poder) cuanto se requiera para proporcionar un funcionamiento suave y duradero.
14. Después de la instalación inicial, vuelva a revisar todos los sujetadores antes de usar la escalera de ático. (En los brazos de poder, bisagras, marco, conexiones de las secciones, tacones deslizables y puerta).

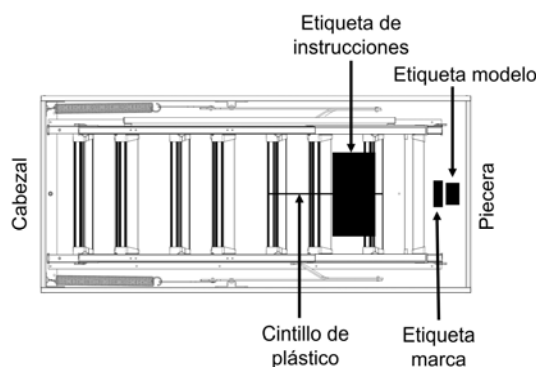


FIGURA 1: UBICACIÓN DE ETIQUETAS EN ESCALERA DE ÁTICO

MATERIALES MINIMOS REQUERIDOS (no incluidos)	
1. Escalera multipropósito o recta y escalera de tijera 	8. Dos soportes temporales (2.5cm x 10.2cm x 81.3 cm) 
2. Taladro y brocas de 5/32" y 7/16" 	9. Cinta de medir 
3. Destornillador de estrella X2 	10. Mazo de goma 
4. Llave de 7/16" X2 	11. Pinzas cortacables 
5. Sierra de mano 	12. Pinzas para lamina 
6. Pijas para madera 2 1/2" (4) 	13. Cuerda 
7. Cuñas (28+) 	14. Lentes de seguridad 
	15. Guantes 

TABLA 1: HERRAMIENTAS Y EQUIPO NECESARIO PARA LA INSTALACIÓN.

Nota: Alternativamente, se pueden usar herramientas eléctricas para acelerar la instalación.

Incluido con la escalera de ático:

Series de Aluminio (Kits dentro de la caja)		AH2240MS, AP2240MS, AH2540MS
NO	Componente	Cantidad
1	Correas Metálicas 14"	2
2	Cordón	1
3	Arandela 1/4" x 1"	10
4	Bujes plásticos	13
5	Pija Philips #10 3/8"	2
6	Pijas hexagonales 3"	13
7	Tornillos para madera 1/4" x 1 1/2"	2
8	Tacones ajustables	2
9	Tuerca 1/4"	4
10	Tornillos 1/4" x 3/4"	4

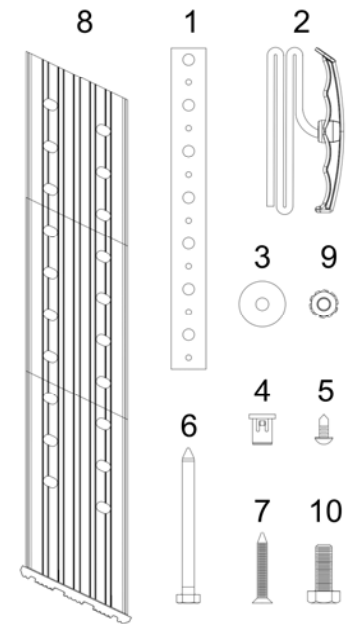


TABLA 2: KIT DE INSTALACION INCLUIDO.

Nota: Partes extra (Bujes Plásticos, Arandelas y Pijas hexagonales) se incluyen para puntos de instalación alternativos. (Ver Figura 3 , Figura 17 y Figura 25)

INSTRUCCIONES DE INSTALACIÓN PARA ESCALERA DE ÁTICO ALUMINIO

Verificación de apertura de techo (Reemplazo/Construcción nueva)

Ubicación de la escalera de ático:

Deje espacio suficientemente amplio para el despliegue y la apertura de la escalera de ático plegable cuando este abierta, (Ver **Figura 2** y **Tabla 3**). Ubique la abertura en el techo de manera que cuando entre en el ático tenga espacio adecuado y área para caminar.

1. Reemplazo: Verifique tamaño y ubicación actual Ver **Figura 2** y **Tabla 3**. **Si se necesitan ajustes, consulte el APÉNDICE para volver a enmarcar la abertura de techo.**

2. Nueva construcción: Ver APÉNDICE para instrucciones de enmarcado de abertura de techo.

LEA LAS INSTRUCCIONES Y ADVERTENCIAS COMPLETAMENTE ANTES DE COMENZAR.

Modelo	Abertura de techo	Rango de altura de techo "A"	Distancia de apertura "B"	Espacio de despliegue "C"	Ancho de paso "D"
AH2240MS	0.57 m X 1.37 m	2.33 m – 3.12 m	1.7 m	1.88 m	0.30 m
AP2240MS					0.37 m
AH2540MS	0.65 m X 1.37 m				0.37 m

TABLA 3: REQUERIMIENTOS PARA LA INSTALACIÓN

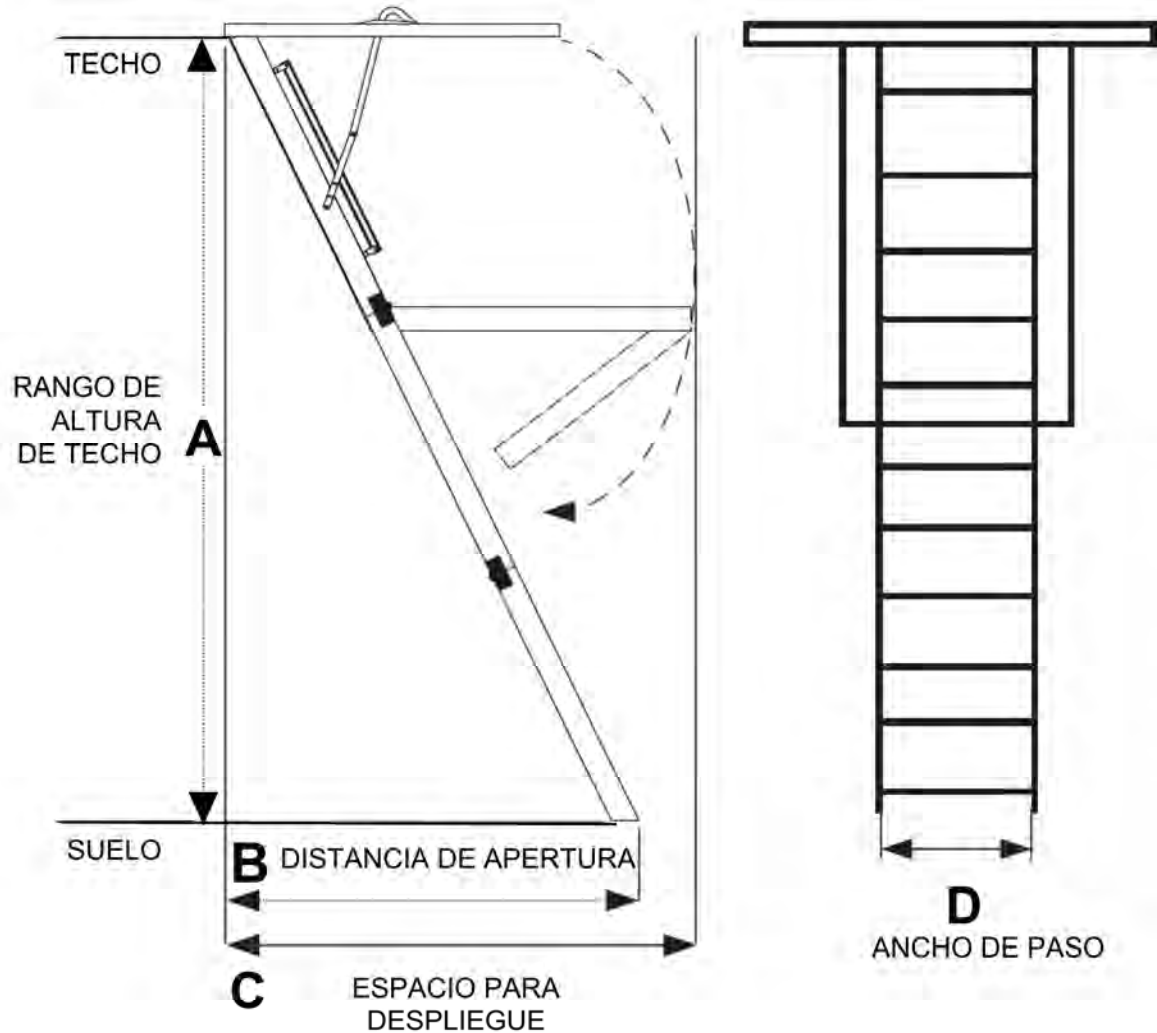


FIGURA 2



La puerta está bajo presión extrema y NUNCA debe abrirse antes de la instalación. Abrir la puerta o pararse en las secciones de la escalera de ático antes de sujetarla correctamente a las vigas del techo podría causar LESIONES CORPORALES GRAVES O LA MUERTE. NO remueva el cintillo plástico que sostiene las secciones de la escalera de ático hasta que se indique.

PASO 1: INSTRUCCIONES DE INSTALACION PRELIMINARES



La instalación requiere **DOS PERSONAS** en todo momento, la instalación bloqueara la puerta de la escalera de ático por un periodo de tiempo prolongado mientras un instalador se encuentra en el ático. Los instaladores deben mantenerse en contacto verbal entre sí.



NO REALICE LA INSTALACION DURANTE CALOR EXTREMO.

Las temperaturas en los áticos pueden ser mucho más altas que en el hogar o que en el exterior. Las temperaturas extremas en los áticos pueden causar agotamiento por el calor (por ejemplo: mareos, dolores de cabeza, sudoración intensa, deshidratación, calambres) que pueden impedir su capacidad para completar esta instalación. Manténgase en contacto verbal con el otro instalador y manténgase hidratado.

Instalador #1 trabajara desde el piso e instalador #2 trabajara desde el ático.

Las siguientes instrucciones explican las tareas de cada instalador.
Prepare la escalera de ático para instalarla en la abertura de techo.

- A. Posicione la escalera de ático sobre una superficie de trabajo horizontal y plana.
- B. Instale los bujes plásticos presionando o golpeando ligeramente desde el exterior del marco con un mazo de goma en los orificios pretaladrados en el marco de aluminio, como se muestra en la **Figura 3**. Agujeros alternativos para bujes plásticos se taladrarán en la piecera más adelante, si es necesario.

NOTA: Asegúrese que cada buje plástico este completamente insertado y alineado en los orificios, de lo contrario, podrían aflojarse o dañarse durante la instalación.

Materiales necesarios:

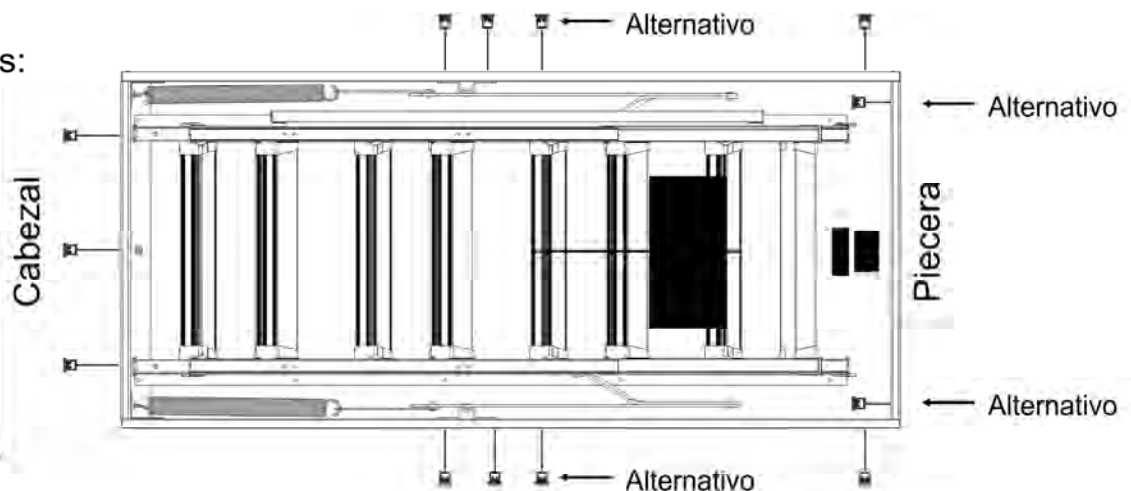
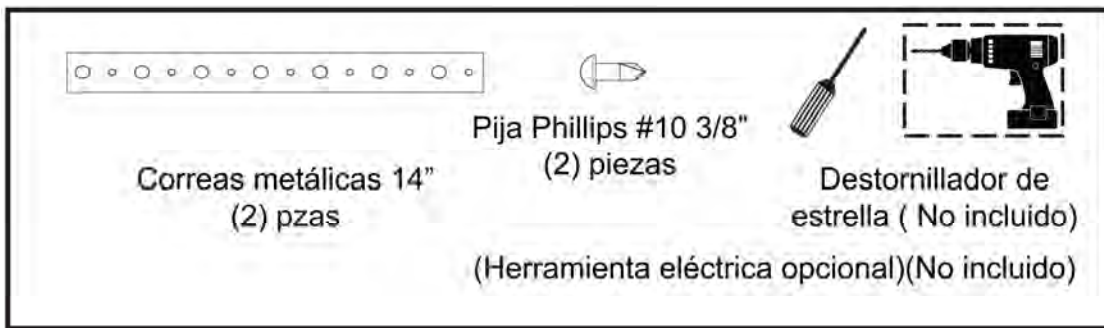


FIGURA 3: UBICACIÓN DE BUJES PLÁSTICOS

Materiales necesarios:



C. Desdoble con cuidado las correas de metal de 14", estas pueden tener bordes afilados. Coloque una pija Phillips #10 3/8" a través del orificio inferior de 1/4" de diámetro (orificio grande) de la correa metálica. Posicione una correa de metal contra el costado del marco de aluminio en el orificio pretaladrado, como se muestra en la **Figura 4** y **Figura 5**. NO permita que las correas de metal se extiendan por debajo del marco de aluminio. Ver **Figura 7**. Sostenga la correa de metal con firmeza para evitar que gire mientras atornilla la pija en el marco de aluminio.

D. Repita la instalación de la segunda correa metálica en el lado opuesto.

E. Coloque ambas correas metálicas de manera vertical como se muestra en la **Figura 5**. Doble ambas correas hacia adentro sobre la sección de la escalera de manera que no estorbe. Ver **Figura 6**.

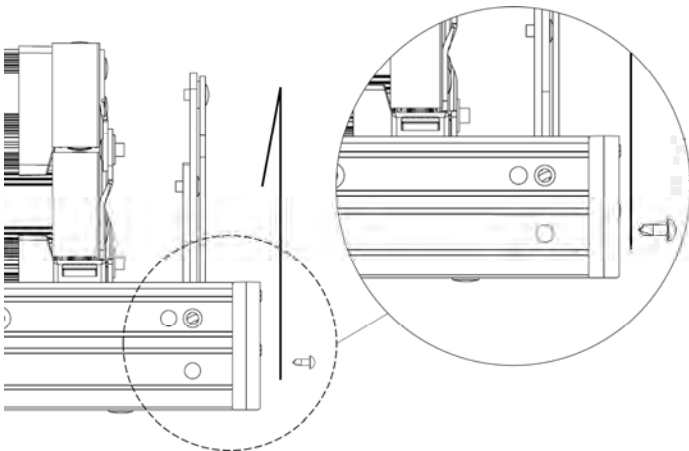


FIGURA 4 : INSTALACIÓN DE CORREA METÁLICA

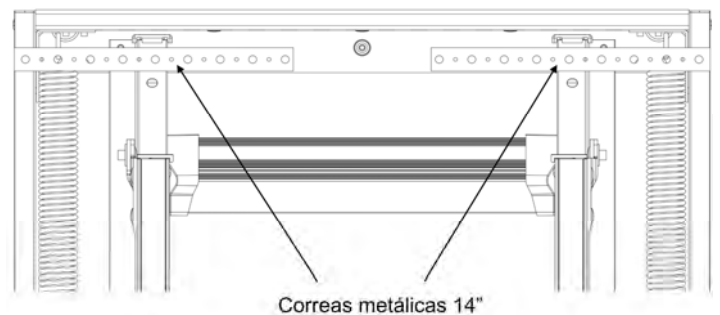


FIGURA 6: POSICIÓN DE LA CORREA METÁLICA

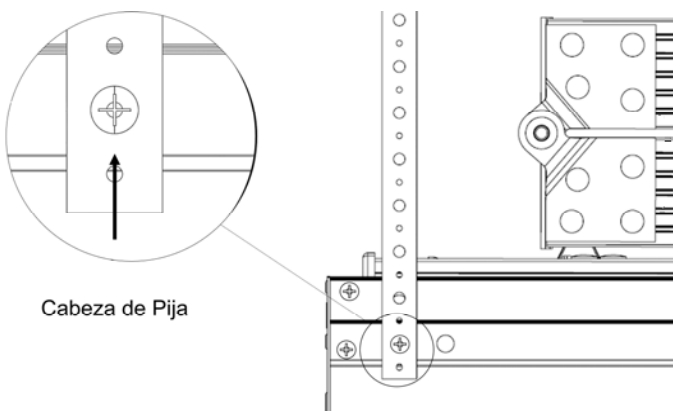


FIGURA 5: POSICIÓN DE LA CORREA METÁLICA

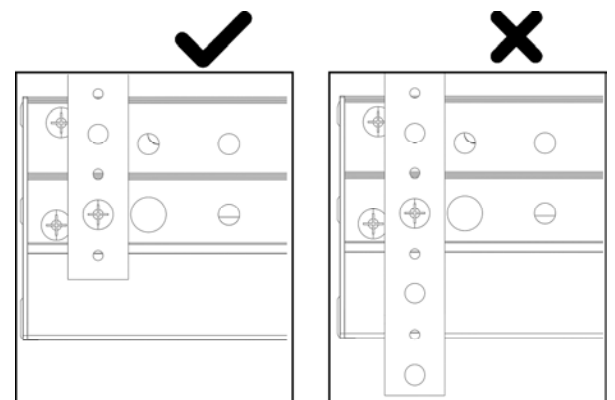
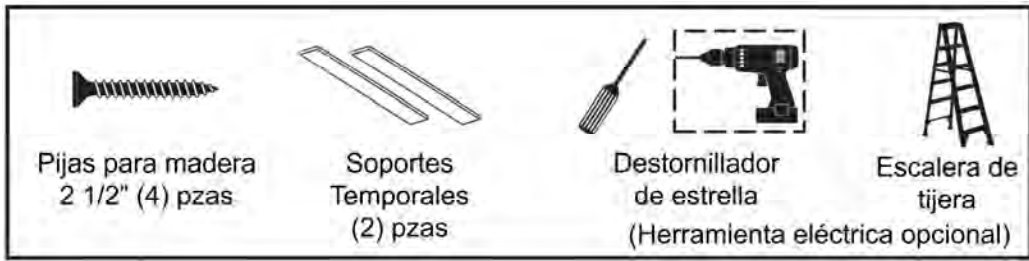


FIGURA 7

Materiales necesarios (No incluidos):



F. Asegure los soportes temporales "A" y "B" (2.5cm x 10.2cm x 81.3cm) con dos pijas para madera 2 1/2" (no incluidas). Soporte "A" estará a 3" de la abertura del techo en el extremo del cabezal/bisagra. Soporte "B" estará a 8" de la abertura del techo en el extremo de la piecera. Asegúrese de seguir estas dimensiones de colocación de tablonces para que los soportes temporales no obstaculicen los pasos siguientes de la instalación. Ver **Figura 8** y **Figura 9**.

NOTA: Asegúrese que las pijas de madera de los soportes temporales penetren las vigas del techo para soportar el peso de la escalera de ático.

IMPORTANTE: NUNCA use tornillos o pijas para tablaroca, estos no están clasificados estructuralmente para esta aplicación.



FIGURA 8 : INSTALACIÓN DE SOPORTES TEMPORALES

FIGURA 9 : LOCALIZACION DE SOPORTES TEMPORALES

PASO 2: COLOCACIÓN DE ESCALERA DE ÁTICO EN ABERTURA DEL TECHO



NO REALICE LA INSTALACION DURANTE CALOR EXTREMO.

Las temperaturas en los áticos pueden ser mucho más altas que en el hogar o que en el exterior. Las temperaturas extremas en los áticos pueden causar agotamiento por el calor (por ejemplo: mareos, dolores de cabeza, sudoración intensa, deshidratación, calambres) que pueden impedir su capacidad para completar esta instalación. Manténgase en contacto verbal con el otro instalador y manténgase hidratado.



LA ABERTURA DE TECHO ES UN POSIBLE RIESGO DE CAÍDA.

El instalador #2 estará trabajando temporalmente alrededor de una abertura en el techo y podría caer. Tenga cuidado de mantener un buen balance y una distancia adecuada hacia la abertura del techo cuando sea posible. El instalador #2 NO debería dejar materiales sobre la escalera de ático o sobre la puerta, estos podrían caer al abrir la puerta del ático.

NOTA: El instalador #2 no podrá salir del ático hasta que se complete la instalación.

Asegure que el instalador #2 tenga todos los materiales y herramientas necesarios para completar las tareas a realizar desde arriba. Asegúrese que haya energía eléctrica o suficiente batería durante la instalación para iluminación o herramientas eléctricas. Antes de iniciar el trabajo, evalúe el área para asegurarse que su lugar de trabajo es seguro (riesgos por arriba de la cabeza, soportes en el suelo, calor, etc.).

Materiales necesarios en el ático:



G. Instalador #2: Suba al ático usando una escalera adecuada (ejemplo: escalera multipropósitos, escalera recta o escalera de extensión). Siga todas las instrucciones en esta escalera. El espacio para acceso es estrecho, así que tenga cuidado de no golpearse o engancharse en la abertura del techo y evite alterar o forzar los soportes temporales.

H. Ambos instaladores necesitan trabajar juntos para posicionar la escalera de ático en los soportes temporales. Cuando el instalador #2 este en el ático y listo para asistir. El instalador #1 levantará la escalera de ático hasta la abertura. Ver **Figura 10**. No debe subirse a una escalera mientras sube la escalera de ático, o podría caerse. Si la altura de techo a piso o el peso de la escalera de ático dificultan o hace impráctico el levantamiento, asegure una cuerda a la escalera de ático después el instalador #2 puede ayudar jalando la cuerda para subir la escalera de ático hacia la abertura del techo y colocarla sobre los soportes temporales.

NOTA: Con la escalera de Ático posicionada en los soportes temporales, antes de continuar asegure que los bujes plásticos estén en los orificios y no se hayan movido o caído.

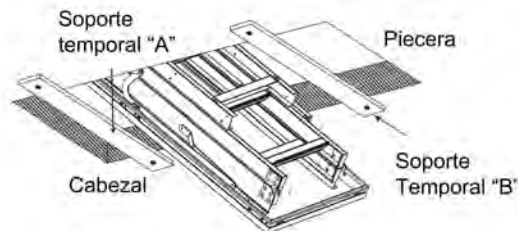


FIGURA 10 : COLOCACIÓN DE LA ESCALERA DE ÁTICO EN LA ABERTURA DE TECHO

I. Instalador #2: Después de que la escalera de ático este sobre los soportes temporales, asegure empujando el cabezal de aluminio contra el cabezal de la abertura del techo y céntralo lado a lado.

J. Instalador #1 y #2: Coloque cuñas temporales desde abajo y desde arriba entre el marco de aluminio y la abertura de techo en el extremo de la piecera para mantener el extremo opuesto (cabezal/bisagra) CENTRADO y AJUSTADO CONTRA EL CABEZAL DE MADERA DE LA ABERTURA DEL TECHO. Ver **Figura 11**. Las cuñas temporales deben brindar un soporte uniforme para que el marco de aluminio no se tuerza ni se doble. Ver **Figura 12** para conocer la ubicación temporal de las cuñas en la piecera. Asegúrese de que la escalera del ático esté firmemente apoyada en los soportes temporales y que no se haya levantado.

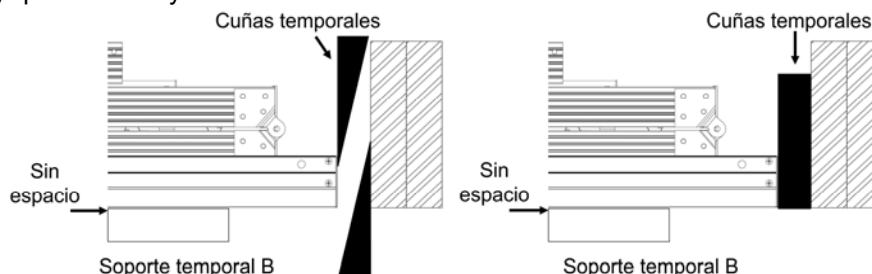


FIGURA 11 : COLOCACIÓN DE CUÑAS EN LA PIECERA

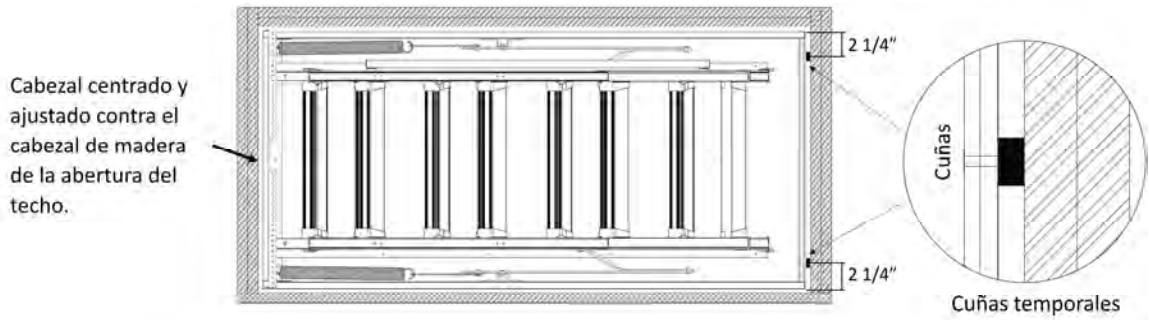


FIGURA 12 : POSICIÓN DE CUÑAS EN LA PIECERA

K. Antes de continuar, el instalador #1 debe medir en diagonal el marco de aluminio para asegurarse que la escalera de ático este escuadrada. Las medidas en diagonal A1 y A2 deben medir lo mismo, hasta con 1/8" de diferencia entre ellas. Ver **Figura 13**. Si no, la puerta de la escalera de ático podría no cerrar correctamente. Si las medidas no coinciden, ajuste la piecera de la escalera de ático moviendo de lado a lado. Esto puede requerir ajustar las cuñas. Asegúrese de mantener el cabezal /bisagra centrada en la abertura mientras encuadra la escalera de ático. Use cuñas si es necesario.

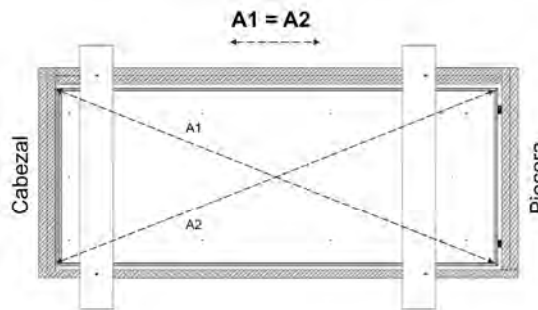


FIGURA 13 : ESCUADRE DE LA ESCALERA

PASO 3: ASEGURANDO LA ESCALERA DE ÁTICO EN LA ABERTURA DE TECHO

L. Instalador #2: Despliegue las correas metálicas de 14" y dóblelas sobre las vigas del techo. Atorníllelas con las pijas para madera a través del orificio de 1/4" en la correa metálica y la viga de madera. Ver **Figura 14** y **Figura 15**. Asegúrese que las correas estén apretadas para soportar el peso de la escalera de ático.

NO levante la escalera de ático de los soportes temporales.

Materiales necesarios:

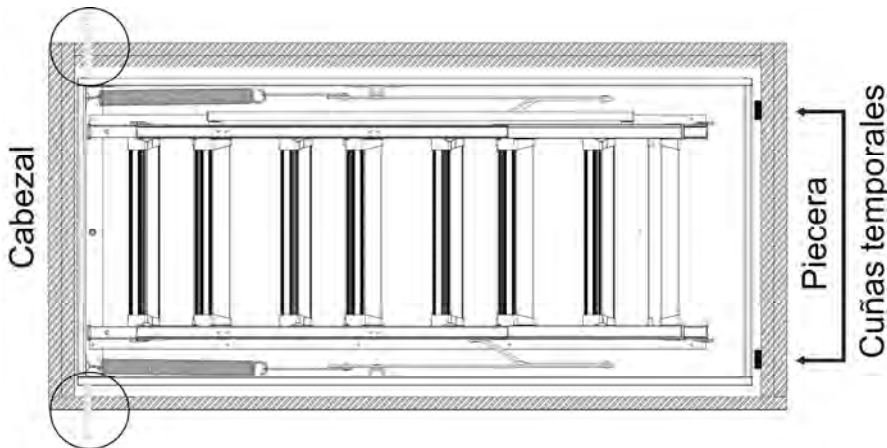


FIGURA 14 : ASEGURANDO LAS CORREAS METÁLICAS

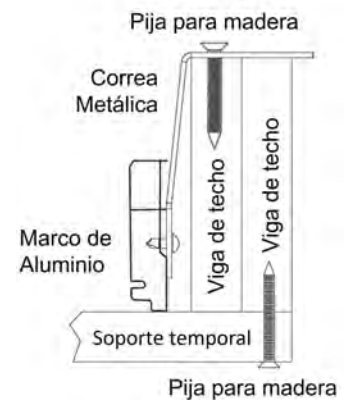


FIGURA 15



NUNCA USE TORNILLOS O PIJAS PARA TABLAROCA EN LUGAR DE LAS PIJAS HEXAGONALES PROVISTAS.
Tornillos o pijas para Tablaroca no son adecuados para soportar la carga de la escalera de Ático.



NO SE SUBA EN LAS SECCIONES DE LA ESCALERA DE ÁTICO. Pararse o subirse en las secciones de la escalera de ático antes de ajustar la longitud de la escalera y de los tacones deslizables (Paso 5) podría resultar en una caída y causar **LESIONES CORPORALES GRAVES O LA MUERTE.**

M. Instaladores #1 y #2: Con el cabezal de la escalera del ático sostenido por las correas metálicas, ahora se puede asegurar el marco lateral del lado de la piecera. Vuelva a verificar que el cabezal esté apretado contra la tabla de la cabecera del ático y que las calzas temporales estén colocadas en la piecera de acuerdo con la **Figura 12** y que la escalera de ático no se haya levantado de los soportes temporales.

N. Instalador #1 y #2: Coloque cuñas desde arriba y desde abajo (ver **Figura 16**) en los 2 orificios pretaladrados en la posición 1 indicados en la **Figura 17**. Las cuñas deben brindar un soporte uniforme para que el marco de aluminio no se tuerza ni se doble. Taladre orificios guía de 5/32" de diámetro por 3" de profundidad en la viga del techo a través de los bujes plásticos de la posición 1, en cada lado. Instale las dos pijas hexagonales para asegurar la escalera del ático.

NOTA: SÓLO CUANDO NO pueda instalar la posición 1 debido a problemas estructurales del ático, debe seguir las siguientes instrucciones para continuar con la instalación para la posición 1*.

Si se usan las posiciones alternativas. Taladre 2 orificios con una broca de 7/16" desde el interior de la escalera **solo a través del perfil de la piecera de aluminio** (Ver la **Figura 18**) y céntrelos en el lugar donde colocó las cuñas en la piecera en la Sección J. **En este punto, las cuñas de la piecera se convertirán en una parte permanente necesaria de la instalación.** Posteriormente, instale bujes plásticos siguiendo los mismos pasos que en la Sección B. Ver la **Figura 17 y Figura 18**. A continuación, taladre orificios de 3" de profundidad a través de los bujes plásticos, las cuñas y las vigas del techo. Finalmente, instale dos pijas hexagonales y dos arandelas en cada ubicación de la piecera para asegurar la escalera del ático. (Ver **Figura 18**)

IMPORTANTE: No presione ni deforme el marco de aluminio con las cuñas. Esto puede causar una condición descuadrada. Si el marco no está correctamente cuadrado, es posible que la puerta del ático no cierre correctamente.

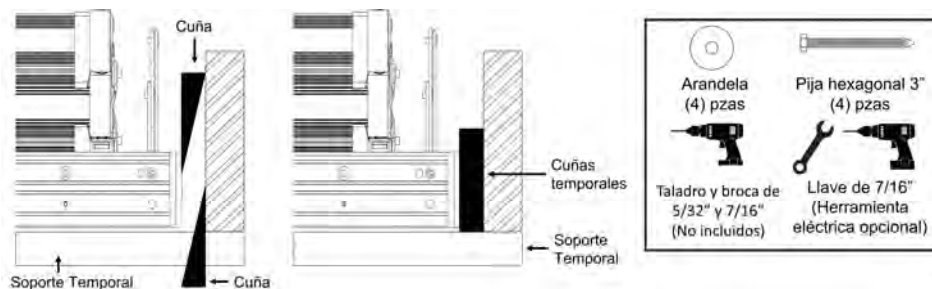


FIGURA 16 : COLOCACIÓN DE CUÑAS EN MARCO LATERAL

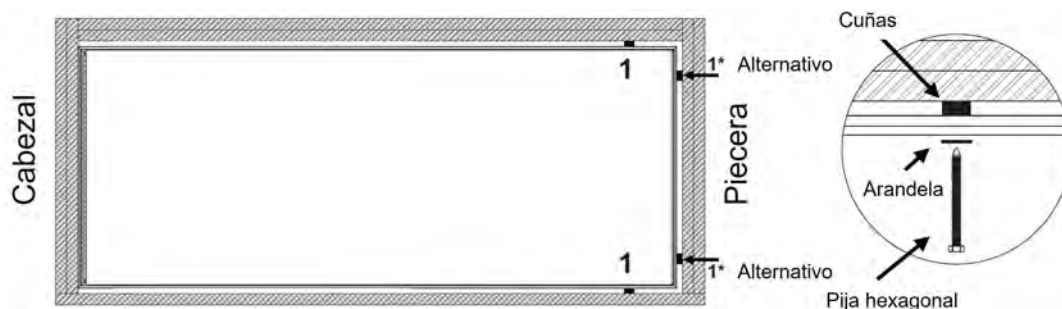


FIGURA 17 : PERFORANDO Y ASEGURANDO PUNTOS DE FIJACION EN MARCO LATERAL

Nota: Partes extra (Bujes Plásticos, Arandelas y Pijas hexagonales) se incluyen para puntos de instalación alternativos.

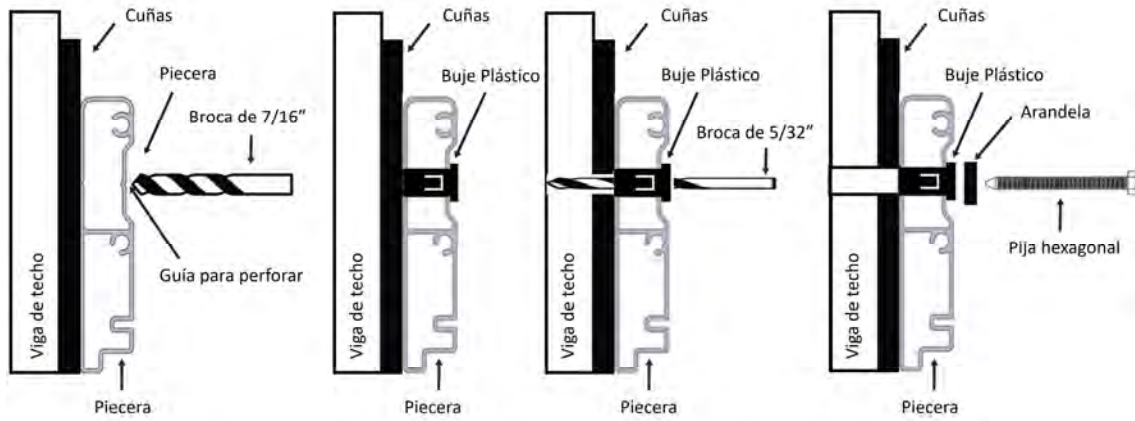


FIGURA 18: INSTALACIÓN ALTERNATIVA (VER NOTA EN SECCIÓN N)

O. Instalador #1: Retire los soportes temporales de madera "A" y "B" del techo del ático. Ver **Figura 19**

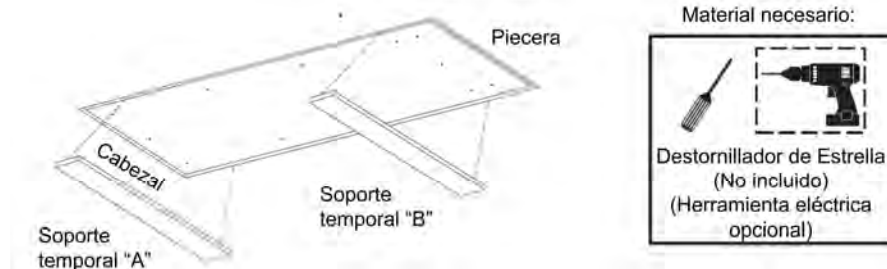
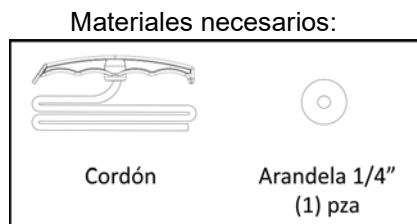


FIGURA 19 : REMOVIENDO SOPORTES TEMPORALES

P. Instalador #2 Asegúrese de que no haya materiales almacenados en la puerta de la escalera del ático, ya que pueden caer al abrir la puerta. Instalador #1 y #2: Abra con cuidado la puerta de la escalera del ático y asegúrese que los brazos de poder estén completamente extendidos para evitar un cierre inesperado de la puerta.

IMPORTANTE: Si el marco no está a escuadra, es posible que la puerta del ático no abra y cierre correctamente.



Q. Instalador #1:

Asegurando cordón para jalar: Pase la cuerda para jalar a través del orificio pretaladrado en la puerta de la escalera del ático. Coloque la arandela de 1/4" x 1" por la parte superior de la puerta del ático y haga un nudo en el extremo del cordón. La longitud del cordón se puede ajustar después de que la escalera esté completamente instalada. Asegúrese de que el nudo sea lo suficientemente grande para que no se deslice por el agujero. Consulte la **Figura 20**.

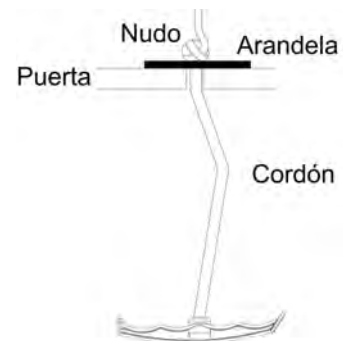
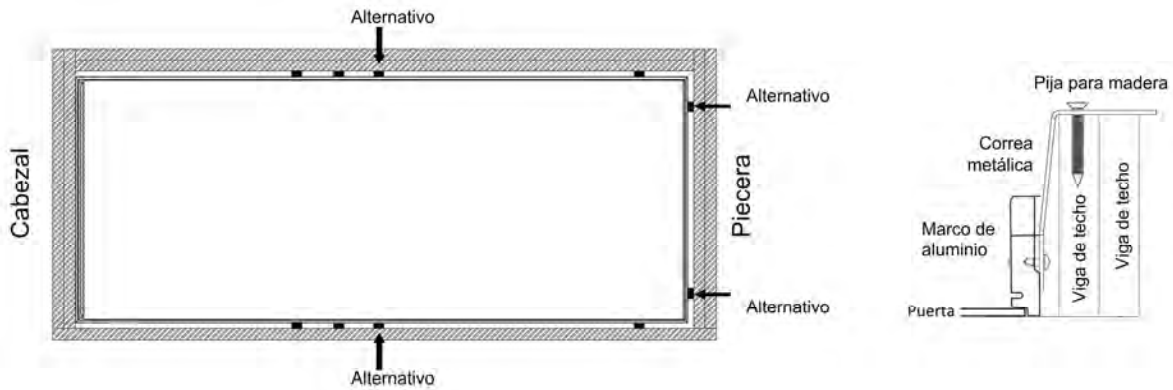


FIGURA 20 : ASEGURANDO EL CORDÓN

R. Instalador #1: Abra y cierre la puerta de la escalera de ático varias veces para asegurarse que la puerta este centrada en el marco de aluminio y que la unidad está encuadrada (Ver **Figura 21**). Si la puerta de la escalera de Ático NO esta escuadrada, se deberá ajustar.

Instalador #1 y #2: Coloque cuñas en el marco lateral asi permitirá que el cabezal del marco se mueva ligeramente y escuadre la escalera. Si es necesario, continúe ajustando el marco de aluminio en la abertura de techo moviendo ligeramente el cabezal/bisagra de lado a lado hasta que la puerta abra y cierre limpiamente.



Nota: Instale cuñas según sea necesario para cuadrar el marco.

FIGURA 21 : ESCUADRE DE LA ESCALERA DE ÁTICO

S. Instalador #1: Cuidadosamente abra la puerta y asegúrese que los brazos de poder estén completamente extendidos para evitar que la puerta se cierre inesperadamente. Asegúrese que el cabezal/bisagra no se muevan. Instalador #2: Perfore orificios guía de 5/32" de diámetro por 3" de profundidad en las vigas del techo a través de los 3 bujes plásticos del cabezal. Instale las pijas hexagonales de 3" y arandelas en cada ubicación. Ver **Figura 22**.

IMPORTANTE: No fuerce ni deforme el marco de aluminio cuando apriételas pijas hexagonales.

Materiales necesarios:



X: Pija hexagonal 3" (3) pzas **W:** Arandela (3) pzas



FIGURA 22 : ASEGURANDO EL CABEZAL DE LA ESCALERA DE ÁTICO

PASO 4: FINALIZACION DE LA INSTALACION DE LA ESCALERA DE ÁTICO



NO SE SUBA EN LAS SECCIONES DE LA ESCALERA DE ÁTICO.

Pararse o subirse en las secciones de la escalera de ático antes de ajustar la longitud de la escalera y de los tacones deslizables podría resultar en una caída y causar LESIONES CORPORALES GRAVES O LA MUERTE.

Las siguientes instrucciones son necesarias para garantizar que las secciones de la escalera de ático tengan el soporte adecuado para su uso, así como eliminar posibles obstrucciones o puntos de atrapamiento.

Materiales necesarios:

T. Instalador #2: Con el marco de aluminio de la escalera de ático asegurado y la puerta abierta, remueva las pijas para madera de las correas metálicas. Corte las correas lo más cerca posible al marco de aluminio. Tenga cuidado con los bordes afilados. Gire el material excedente de la correa metálica hacia abajo entre el marco de aluminio y la abertura de techo para eliminar un posible punto de atrapamiento. Ver **Figura 23**.

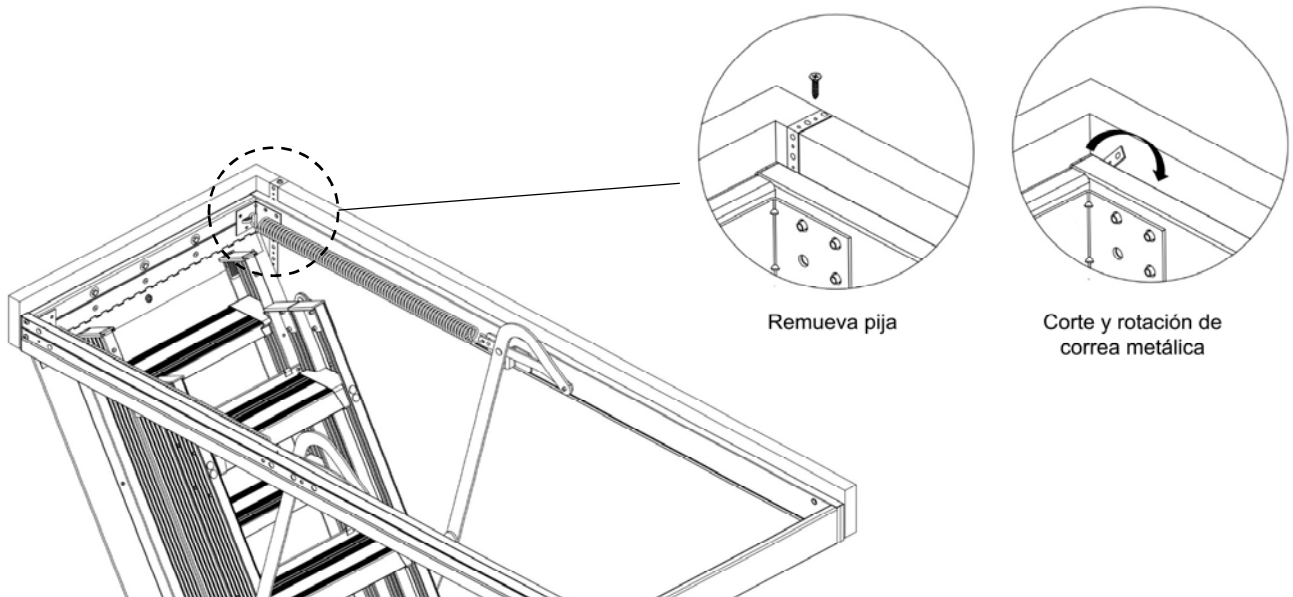


FIGURA 23 : REMOVIENDO MATERIAL EXCEDENTE DE LAS CORREAS METÁLICAS

U. Instalador #1 y #2: Coloque cuñas desde abajo y desde arriba en los 4 orificios restantes, 2 en cada riel lateral del marco de aluminio. (Ver **Figura 24**). Las cuñas deben proporcionar un soporte uniforme para que el marco de aluminio no se tuerza o pandee. Perfore orificios guía de 5/32" de diámetro por 3" de profundidad en las vigas del techo a través de los bujes plásticos en la posición 2. Instale las 4 pijas hexagonales para asegurar la escalera de ático (ver **Figura 25**).

NOTA: Únicamente cuando NO pueda instalar las pijas hexagonales en las posiciones 2 a través de los puntos pivote debido a obstrucciones, debe seguir las siguientes instrucciones para la posición alternativa 2*.

Si usa la posición alternativa: Coloque las cuñas desde arriba y desde abajo en las posiciones alternativas 2*. Después, taladre orificios guía de 5/32" de diámetro x 3" de profundidad a través de los bujes plásticos, las cuñas y las vigas del techo. Finalmente, instale los dos tornillos hexagonales y las dos arandelas para asegurar la escalera del ático.

Materiales necesarios:

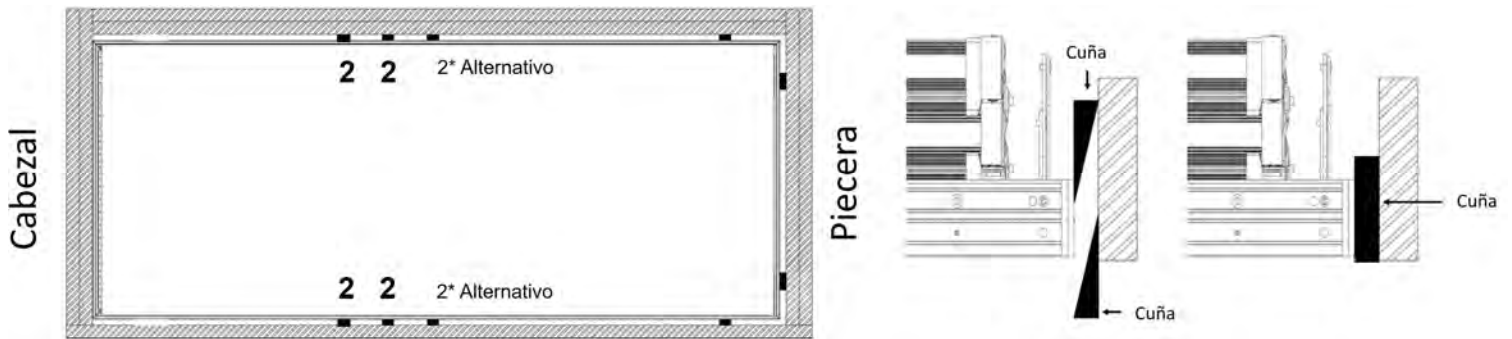


FIGURA 24 : COLOCACIÓN DE CUÑAS EN MARCO LATERAL

X: Pija hexagonal 3" (6) pzas **W:** Arandela (2) pzas

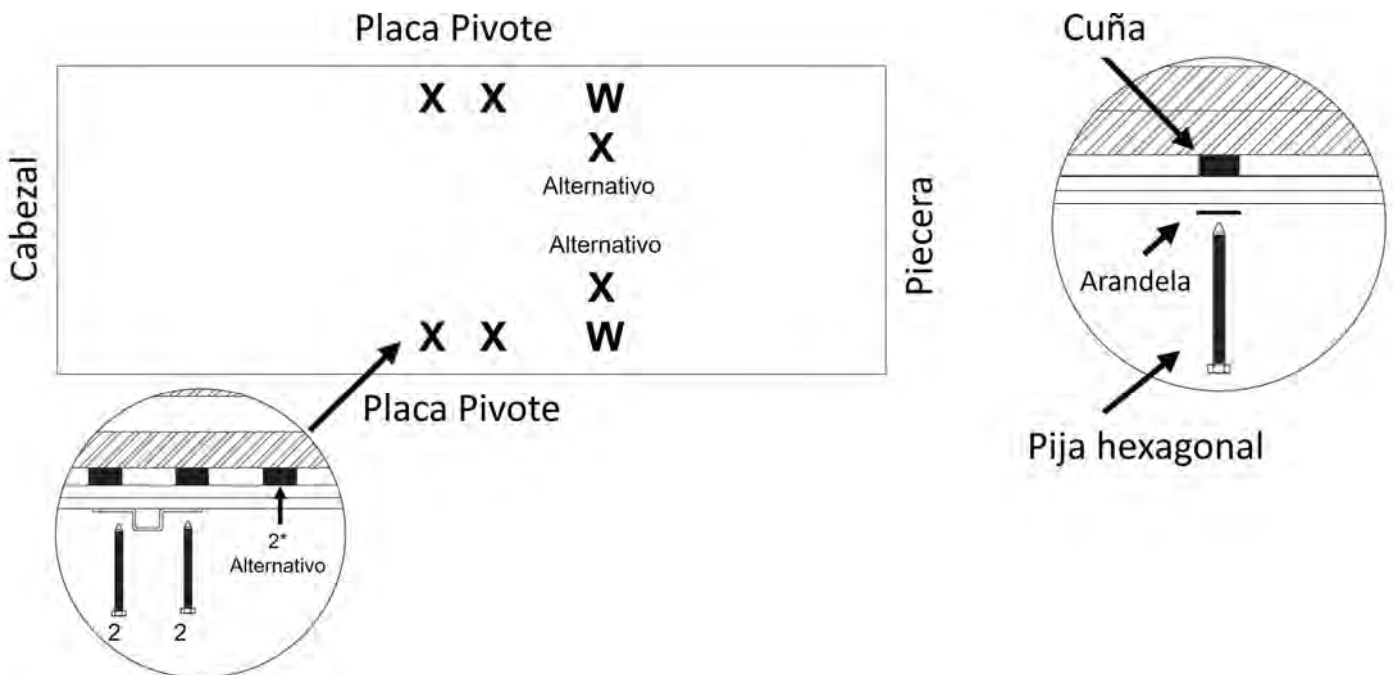


FIGURA 25 : ASEGURANDO MARCO LATERAL

PASO 5: AJUSTANDO LARGO DE LA ESCALERA DE ÁTICO

Pasos finales para completar la instalación de la escalera de ático.

V. Instalador #1: Mida y registre la altura de techo. Altura de techo: _____

W. Instalador#1: **AHORA PUEDE QUITAR EL CINTILLO PLÁSTICO QUE SOSTIENE JUNTAS LAS SECCIONES DE LA ESCALERA DE ÁTICO.**

Con las pinzas cortacable, remueva el cintillo plástico que sostiene las secciones de la escalera en posición cerrada. Cuidadosamente despliegue las secciones de la escalera al suelo. Posicione la sección inferior detrás de la sección media.. Tenga cuidado al abrir las secciones para no dañar la puerta. Ver **Figura 26**.

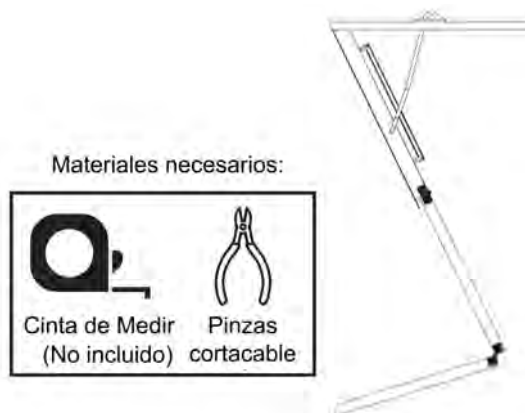


FIGURA 26 : DESPLIEGUE SECCIONES DE ESCALERA

X. Consulte la altura de techo que anoto en la Sección V y determine la ubicación para cortar los largueros laterales y los tacones deslizables de la escalera de ático. Ver **Tabla 4**, **Figura 27** y **Figura 28**.

Ubicación para cortar larguero lateral: _____

Ubicación para cortar tacón deslizable: _____

Instalador #1: Corte larguero lateral y tacón deslizable en la ubicación apropiada. Ver **Figura 27** y **Figura 28**. Tenga cuidado con los bordes afilados después de hacer los cortes.

AH2240MS, AP2240MS, AH2540MS		
ALTURA DE TECHO	CORTE DE LARGUERO LATERAL	CORTE DE TACÓN DESLIZABLE
7'8" - 7'9"	Corte angular en peldaño #3	Línea E
7'10" - 7'11"	Corte recto en línea C	Línea E
8' - 8'3"	Corte recto en línea C	Línea D
8'4" - 8'6"	Corte recto en línea C	No cortar
8'7" - 8'8"	Corte angular en peldaño #2	No cortar
8'9" - 9'2"	Corte recto en línea B	No cortar
9'3" - 9'4"	Corte recto en línea A	No cortar
9'5" - 9'10"	Corte angular en peldaño #1	No cortar
9'11" - 10'3"	No cortar	No cortar

TABLA 4 : UBICACIÓN DE CORTE DE LARGUERO LATERAL Y TACÓN DESLIZABLE

Materiales necesarios:

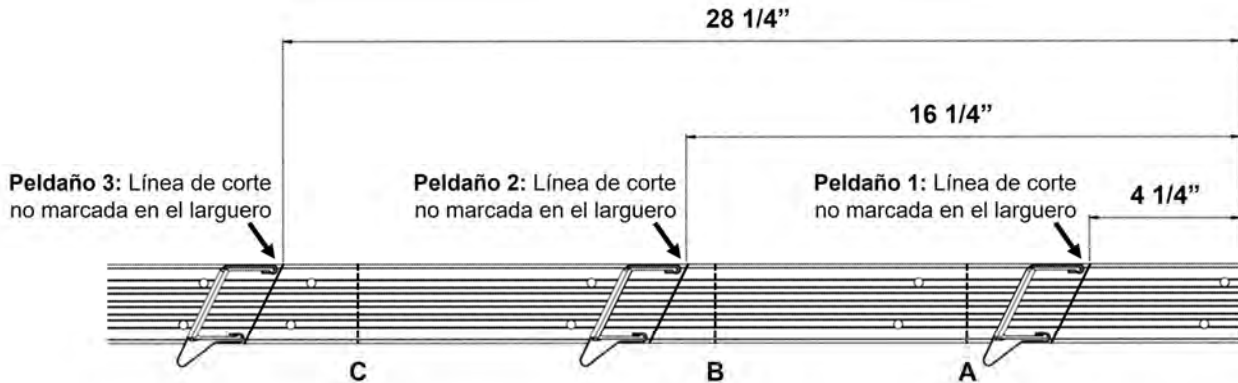


FIGURA 27 : : UBICACIÓN DE CORTE DE LARGUERO LATERAL

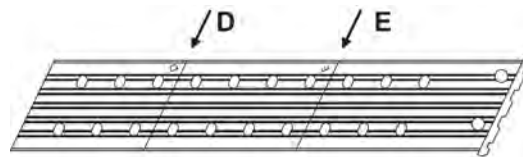


FIGURA 28 : UBICACIÓN PARA CORTAR TACÓN DESLIZABLE (CORTE CUANDO SEA NECESARIO)

Y. Instalador #1: Presione hacia abajo la sección superior y media de la escalera de ático para asegurarse de que la puerta este abierta y los brazos de poder estén completamente extendidos. Deslice el tacón deslizante en el larguero lateral de la escalera como se muestra en la **Figura 29**. Es posible que deba golpear el tacón con un mazo de goma para asegurarse de que quede bien ajustado. Colóquelo de manera que el plástico de los tacones este en contacto con el suelo. Nuevamente asegúrese que los brazos de poder están completamente extendidos. Alinee el tacón de aluminio con los orificios pretaladrados. Use los orificios pretaladrados mas cercanos para asegurar que los tacones deslizables estén en contacto con el suelo. Puede que necesite ajustar las secciones para permitir que el tacón deslizante se ajuste con los orificios pretaladrados. Use (2) tornillos de 1/4" y tuercas para sujetar los tacones deslizables al larguero lateral de la escalera de ático. Apriete ambos sujetadores. Repita la instalación del tacón deslizante en el larguero lateral opuesto.

Materiales necesarios:

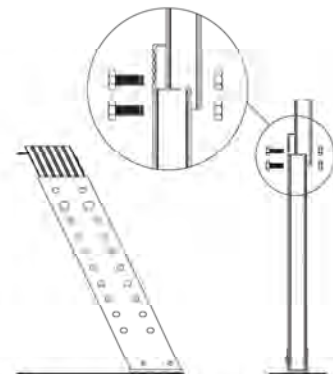
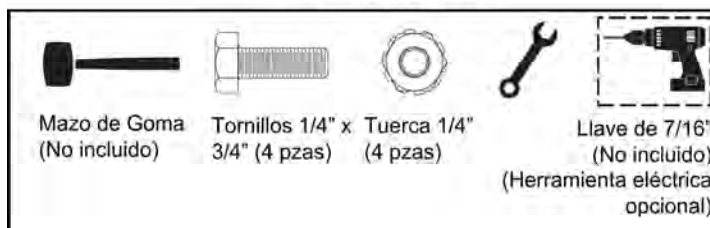


FIGURA 29 : INSTALACIÓN DE TACÓN DESLIZABLE

Z. Instalador #1: Verifique que no haya espacios entre las secciones de la escalera y que ambos tacones estén apoyados en el suelo. Recorte correcto, la escalera de ático debe verse como la **Figura 31**. Se pueden hacer ajustes menores para eliminar los espacios de las secciones de la escalera, colocando ambos tacones deslizables en el suelo para reubicarlos en diferentes orificios pretaladrados.

Si la escalera de ático luce como la **Figura 30**, entonces la sección inferior es muy corta, y la escalera de ático no es segura para usar. El tacón deslizable puede ser reposicionado en un orificio diferente pretaladrado en la sección para ajustar. De lo contrario deberá comprar una nueva sección inferior o un nuevo tacón deslizable al fabricante. Si la escalera de ático luce como la **Figura 32**, la sección inferior es muy larga y la escalera de ático no es segura para usarse. Los largueros laterales deberán cortarse o ajustar los tacones deslizables.

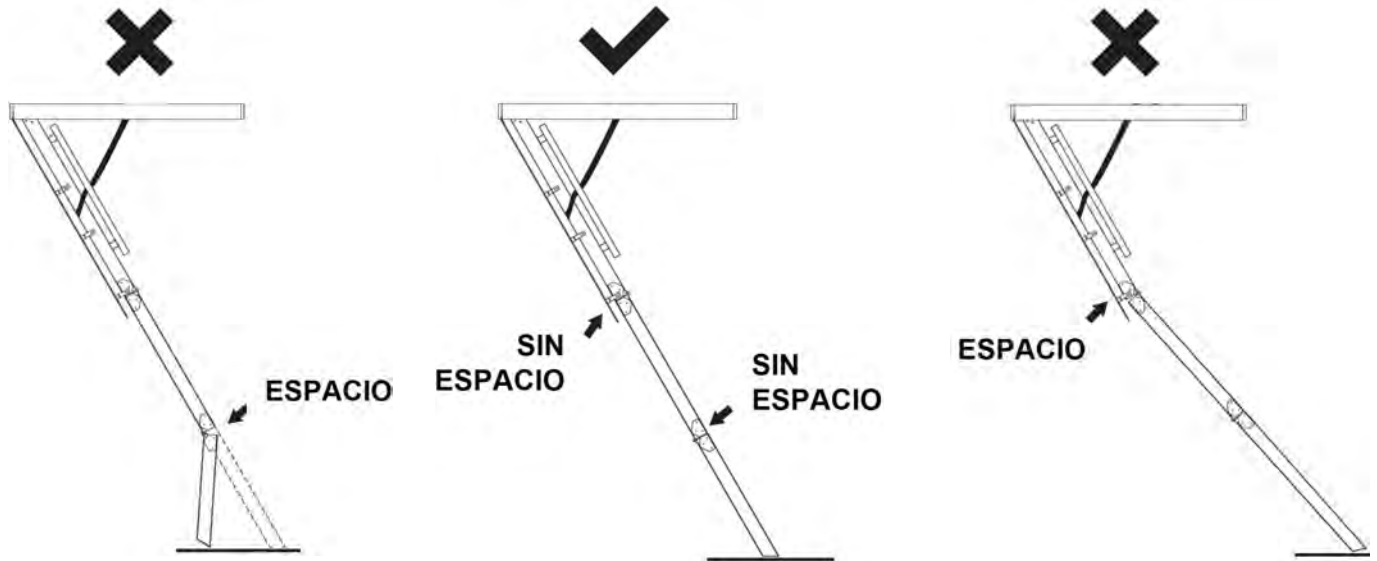


FIGURA 30 : SECCIÓN INFERIOR MUY CORTA

FIGURA 31 : LOS TACONES DESLIZABLES COINCIDEN CON EL SUELO

FIGURA 32 : SECCIÓN INFERIOR MUY LARGA

Instalador #2 salga con cuidado del ático usando su escalera de ático aluminio recién instalada.

PASOS ADICIONALES / INFORMACIÓN:

- 1.- Recorte las cuñas para preparar la abertura del techo para el acabado final y remover puntos de enganche o de tropiezo.
- 2.- Ahora se puede terminar la abertura del marco.
- 3.- Periódicamente lubrique (se recomienda usar silicona en aerosol) los puntos pivote del mecanismo del brazo derecho e izquierdo (ensamble de brazo poder) y cada bisagra para proporcionar un funcionamiento suave y duradero. Ver **Figura 33**.

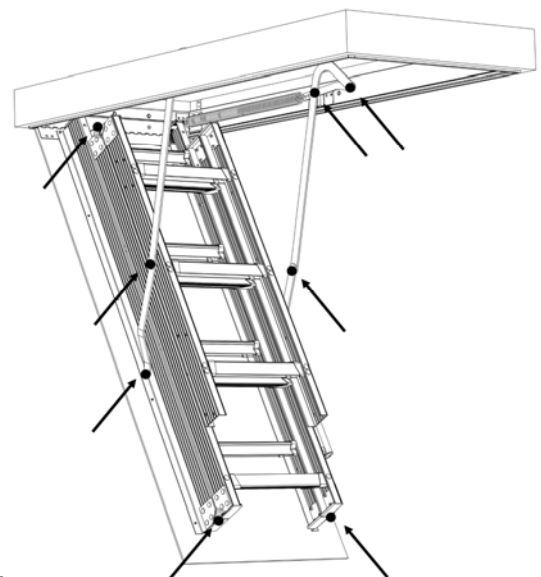


FIGURA 33 : PUNTOS DE LUBRICACIÓN

Recomendación para el pintado de la puerta:

Se debe aplicar una capa de sellador a base de aceite a la superficie de la puerta con una brocha. Esto sella el material de la puerta para evitar posibles daños por humedad durante la pintura.

Una opción es el sellador de interior original a base de aceite de la marca "Kilz". Aplique en toda la superficie exterior de la puerta para garantizar una protección adecuada y una apariencia uniforme.

La superficie está lista para pintar 1 hora después de la aplicación del sellador. El sellador Kilz funciona con recubrimiento a base de agua, aceite y alquídicos.

Partes de reemplazo disponibles:

Modelo de Escalera	AH2240MS	AH2540MS
	AP2240MS	
Tacón deslizante	PK1277	
Kit de instalación	PK1279	
Sección Inferior	PK1281	PK1282
Brazo de poder Derecho	PK1297-RH	
Brazo de poder Izquierdo	PK1297-LH	
Cordón	PR601092	
Bisagras	PK1059	
Pistón	PR04200080	
Pasamanos derecho	PK1273	
Kit etiquetas de instrucción	PK1291	
Tapa de peldaño	PK1290	
Tapa plástica de sección superior	PK1292	
Sello Plástico	PK1294	

TABLA 5 : PARTES DE REMPLAZO

COMENTARIOS ADICIONALES:

¿Por qué mi puerta no cierra correctamente?

R: Diríjase al Paso 3 y asegure el encuadramiento del marco de aluminio.

¿Que pasa si los tacones deslizables no están al ras del suelo?

R: Probablemente corto la sección incorrectamente. Revise el Paso 5 o comuníquese con Servicio al Cliente al 1-800-666-2811.

APENDICE - Enmarcando la abertura paralela a las vigas del techo.

Haga una abertura en el techo aproximadamente del tamaño requerido en la **Tabla 3** asegúrese que las dimensiones de las diagonales del marco sean iguales a como se muestran en la **Figura 34**.

A. Para la abertura sin necesidad de remover vigas del techo.

Ver **Figura 34**.

- Localice los cabezales en la parte delantera y trasera de la abertura.
- Asegure la cuadratura asegurándose de que las medidas en diagonales estén dentro de $1/8"$.
- Asegure usando tres clavos de 16d en cada extremo del cabezal.

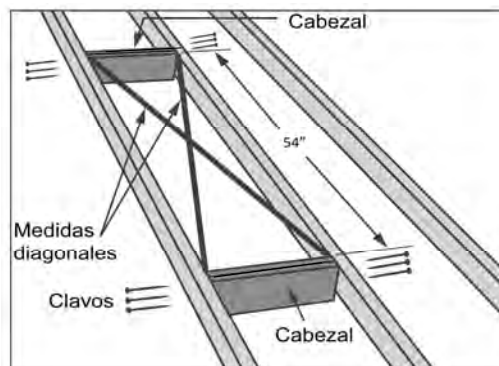


FIGURA 34

B. Abertura con eliminación de vigas de techo.

Ver **Figura 35**.

- Instale soportes temporales que abarquen ambos lados de las vigas que será removida.
- Remueva la viga con una longitud suficiente para instalar los cabezales en ambos extremos de la abertura.

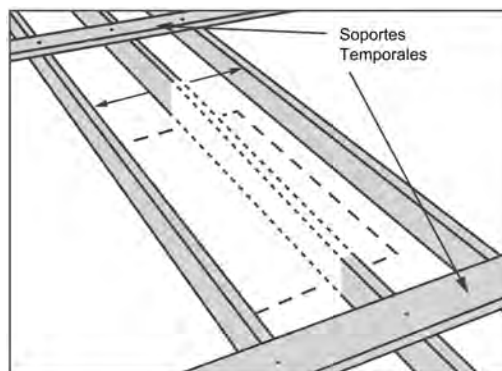


FIGURA 35

Ver **Figura 36**.

- Coloque dos cabezales en cada extremo de la abertura y fíjelos con tres clavos de 16d en cada extremo de cada cabezal. Instale el larguero y verifique que este escuadrado, asegurándose que las diagonales estén dentro de $1/8"$. Asegure con tres clavos de 4" en cada extremo del larguero.

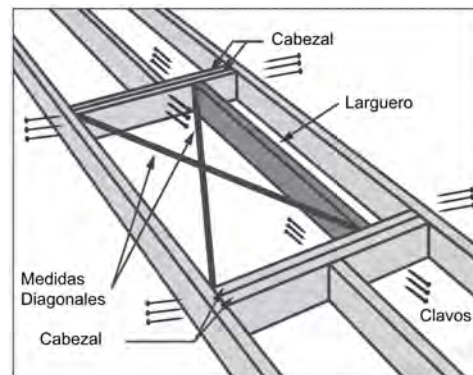


FIGURA 36

PRECAUCION: Consulte con un ingeniero o constructor (arquitecto) experto para la instalación que requiere de la remoción/eliminación de las vigas del techo o aberturas perpendiculares a la viga de techo.

**INSTALLATION INSTRUCTIONS
INSIDE THIS BOOK**

**INSTRUCCIONES DE
INSTALACIÓN EN ESTE LIBRO**